

Antenna KUA-35/8 represent the family of wideband HF wire folded dipole antennas. Its universal construction allows using it almost everywhere and in all circumstances. It is primarily intended for use as a field deployable antenna together with a two support mast as horizontal polarized dipole antenna. Each end is attached to the sliding insulator with nylon rope which allows attachment of the antenna ends on top of the mast or some other appropriate objects.

Three spacers are used to keep the distance between the dipole wires. On the center spacer the transformer and terminating load are installed. The antenna is electrically designed as a closed dipole with balun transformer and one terminating load in the antenna center. On each dipole the length of the wire is 30 m (upper 15 m and lower 15 m), which means the distance between masts is app 32 meters (included tightening rope). The antenna has simple and robust construction. All metal parts are galvanically protected or made of corrosion resistant materials enabling long life and high reliability. Strong kevlar wire is used for the radiating dipole element. The advantage of such wire compared to braided wire is that it does not rust, it is lighter, softer and because of this, it is easier to wind it on reels.

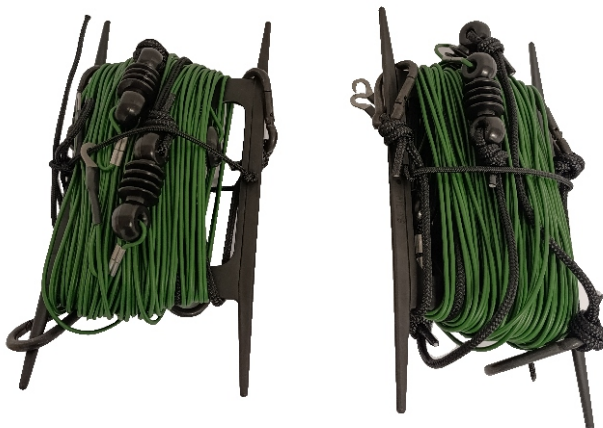
Frequency range	1.6 - 30 MHz
Impedance	50 ohm
Typ. VSWR	< 2.5
Maximum power	150 W, 1 kW CW
Min. mounting height	7-9 m
Length of dipole	2 x 15 m (divided into two parts) distance between masts app 32 m
Weight	3 - 5 kg (depending on power version)
Input connector	N female (UHF female optional)
Temp. range (operating)	-40 +65°C
Temp. range (storage)	-55 +75°C
Wind speed:	
- instalation	90 km/h
- operating	120 km/h
- survival	160 km/h

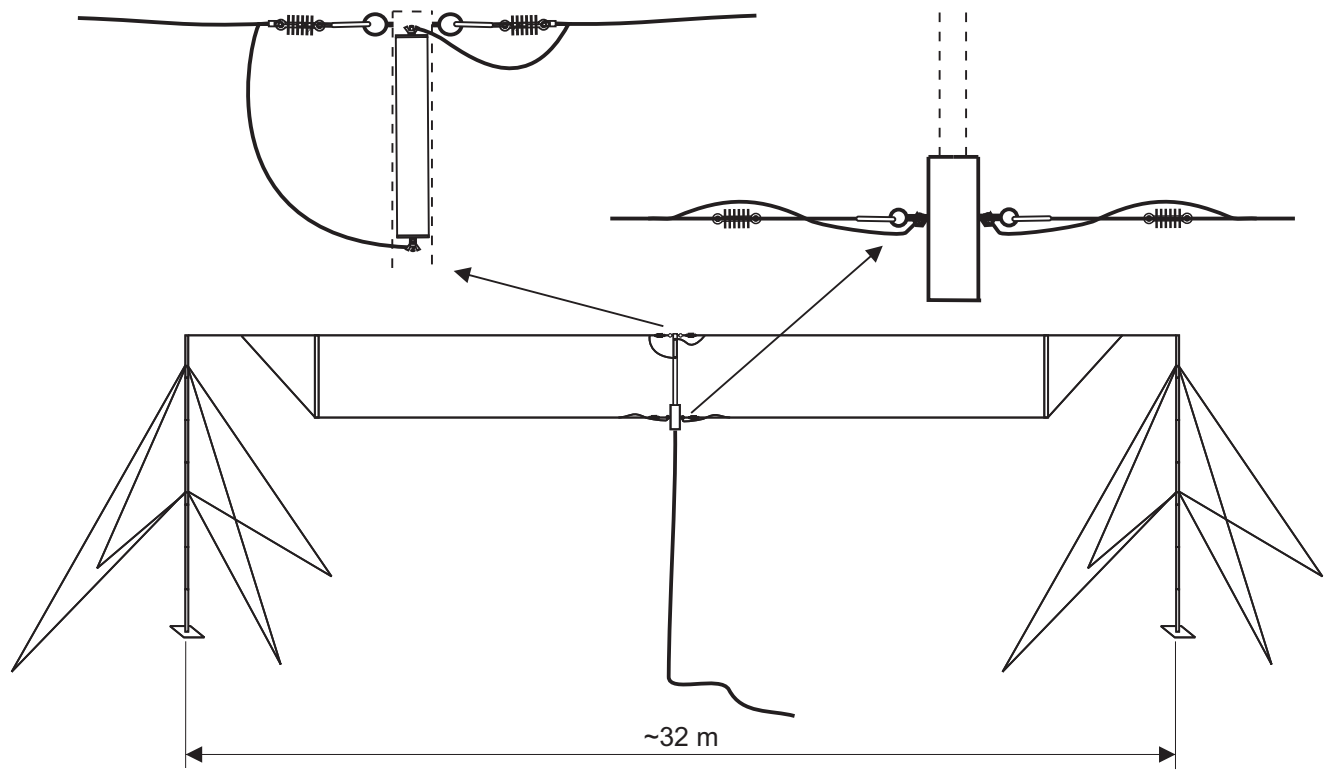
VERSIONS:

KUA-35/8: 150 W, UHF connector, coax cable UHF(m) - BNC (m)

KUA-35/8-150W: 150 W, N connector

KUA-35/8-1kW: 1 kW, N connector





KUA-35/8

