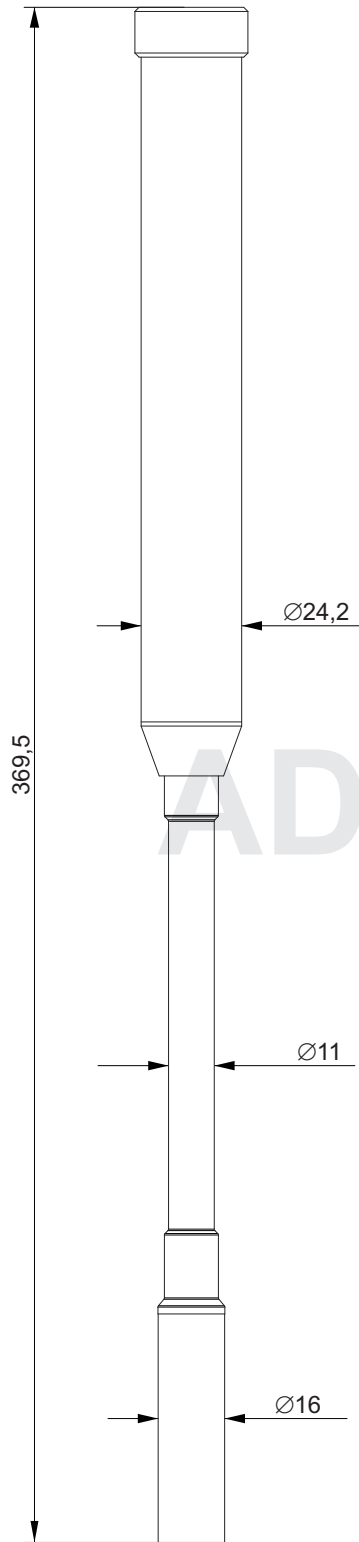


**DESCRIPTION**

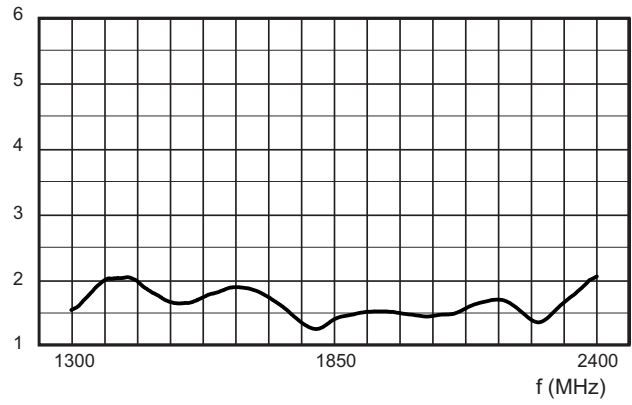
The antenna AD-62/A-1324 is a wide-band UHF dipole ("center-fed") antenna, primarily intended for use with handheld and manpack portable radio units in UHF frequency range from 1300 to 2400 MHz. Electrically the antenna is optimized for all exploitation conditions (portable radio unit on operator body, hand, ground, etc.) so it is not necessary to additionally tune the antenna. The antenna is composed of three basic elements (from the bottom up): Connector unit, flexible goose-neck and dipole radiator. Flexible goose-neck allows the antenna to be always in vertical position. Dipole element is inclosed in a rigid plastic tube. Antenna connector is TNC male.



<b>ELECTRICAL SPECIFICATIONS</b>	
Frequency range	1300 - 2400 MHz
Impedance	50 ohm
VSWR	< 2.5
Gain	See diagram
Polarization	Vertical
Maximum power	10 W CW
Connector	TNC male
<b>MECHANICAL SPECIFICATIONS</b>	
Design	UHF Dipole Antenna
Height	369,5 mm
Weight	190 g
Diameter	24,2 mm
Temperature range - in use	-50 ... +55 °C
Temperature range - in stock	-55 ... +75 °C
Color	Black
<b>ENVIRONMENTAL SPECIFICATIONS (per MIL-STD-810G)</b>	
High Operating Temperature	+85 °C Method 501.5 Proc. II
Low Operating Temperature	-40 °C Method 502.5 Proc. II
High Temperature Storage	+85 °C Method 501.5 Proc. I
Low Temperature Storage	-50 °C Method 502.5 Proc. I
Humidity	Method 507.5 Proc. II
Salt Fog	Method 509.5
Vibration	Method 514.6 Proc. I
Immersion	Method 512.5 Proc. I
Rain	Method 506.4 Proc. II
Sand and Dust	Method 510.5 Proc. I
Solar Radiation	Method 505.5 Proc I
Fungus	Method 508.5
Altitude	Method 500.5 Proc. I



VSWR



Gain

