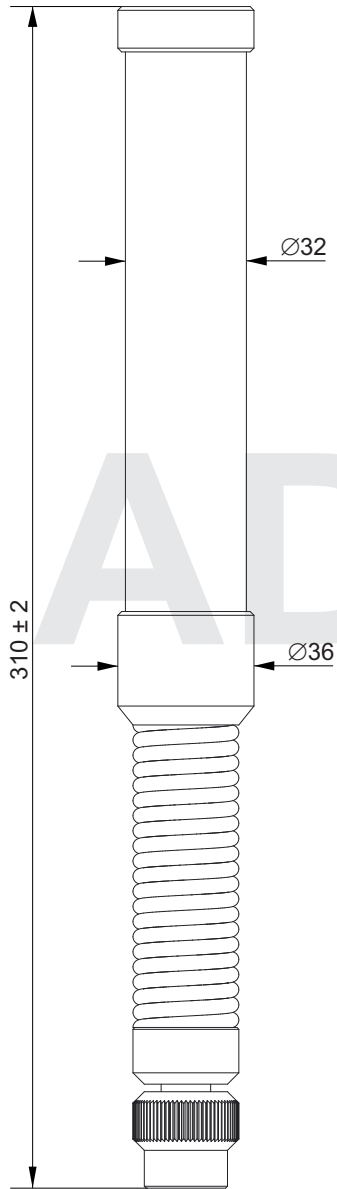


**DESCRIPTION**

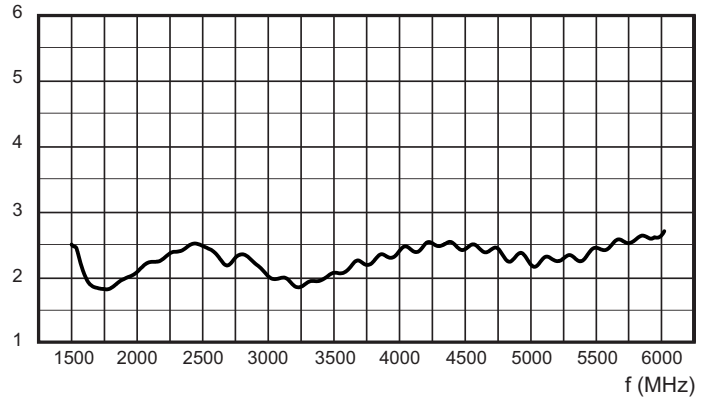
The antenna AD-55/H is a UHF/SHF dipole ("center-fed") antenna, primarily intended for use in portable communication and jamming applications. The antenna covers UHF/SHF frequency range from 1500 to 6000 MHz. Electrically the antenna is optimized for all exploitation conditions so it is not necessary to additionally tune the antenna. The antenna is composed of three basic elements (from the bottom up): Connector unit, stainless steel spring and dipole radiator. Spring allows the antenna to be always in vertical position. The dipole element is enclosed in a rigid plastic tube. The antenna connector is N male.

<b>ELECTRICAL SPECIFICATIONS</b>	
Frequency range	1500 - 6000 MHz
Impedance	50 ohm
VSWR	< 3
Gain	See diagram
Polarization	Vertical
Maximum power	50 W CW
Connector	N male
<b>MECHANICAL SPECIFICATIONS</b>	
Design	UHF/SHF Dipole Antenna
Height	310 mm
Weight	465 g
Diameter	32 mm
Color	Black
<b>ENVIRONMENTAL SPECIFICATIONS (per MIL-STD-810G)</b>	
High Operating Temperature	+65 °C Method 501.5 Proc. II
Low Operating Temperature	-40 °C Method 502.5 Proc. II
High Temperature Storage	+75 °C Method 501.5 Proc. I
Low Temperature Storage	-55 °C Method 502.5 Proc. I
Humidity	Method 507.5 Proc. II
Salt Fog	Method 509.5
Vibration	Method 514.6 Proc. I
Immersion	Method 512.5 Proc. I
Rain	Method 506.4 Proc. II
Sand and Dust	Method 510.5 Proc. I
Solar Radiation	Method 505.5 Proc I
Fungus	Method 508.5
Altitude	Method 500.5 Proc. I





VSWR



Gain (dBi)

