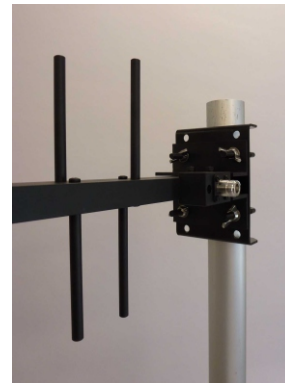
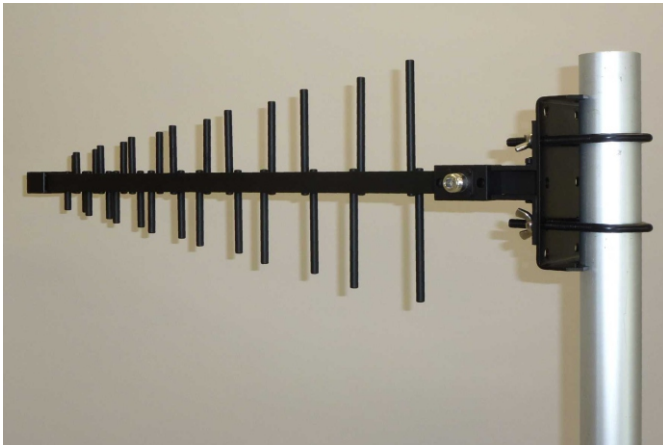
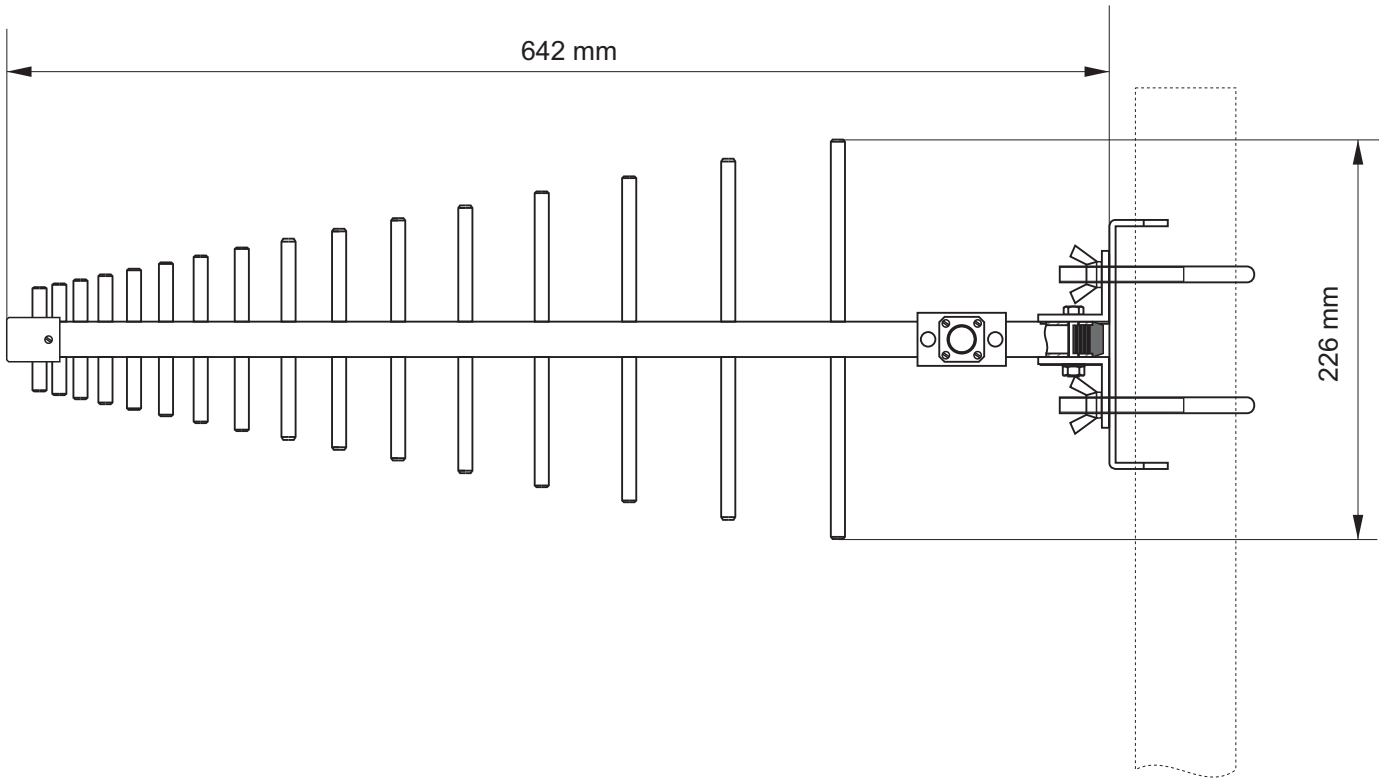


The antenna AD-22/E is a log-periodic dipole antenna covering the frequency range from 700 to 2800 MHz. The antenna is mainly intended for use for broadcast, EMC applications, radio monitoring, jamming, etc. The antenna is composed of a boom element and 16 dipoles. All dipole elements and boom are made of aluminium alloy, protected with irridite finish and painted with two component UV resistant PU paint. The antenna support on the end enables mounting on masts with outer diameter between 1" (26 mm) and 2" (60 mm). The antenna could be used as transportable or as stationary.



|                        |                      |
|------------------------|----------------------|
| Frequency range        | 700 - 2800 Mhz       |
| Impedance              | 50 ohm               |
| VSWR                   | < 2.5 (DIAG. 1)      |
| Gain                   | typ. 8 dBi (DIAG. 2) |
| E-plane 3 dB beamwidth | > 40°                |
| H-plane 3 dB beamwidth | > 50°                |
| Front-to-back ratio    | > 13 dB typ.         |
| Polarization           | HOR./VER.            |
| Maximum power          | 250 W CW             |
| Connector              | N female             |
| Length                 | 730 mm               |
| Width                  | 225 mm               |
| Mass                   | 1,75 kg              |
| Wind velocity          | 160 km/h             |
| Temperature range      | -55...+80 °C         |



# AD-22/E

