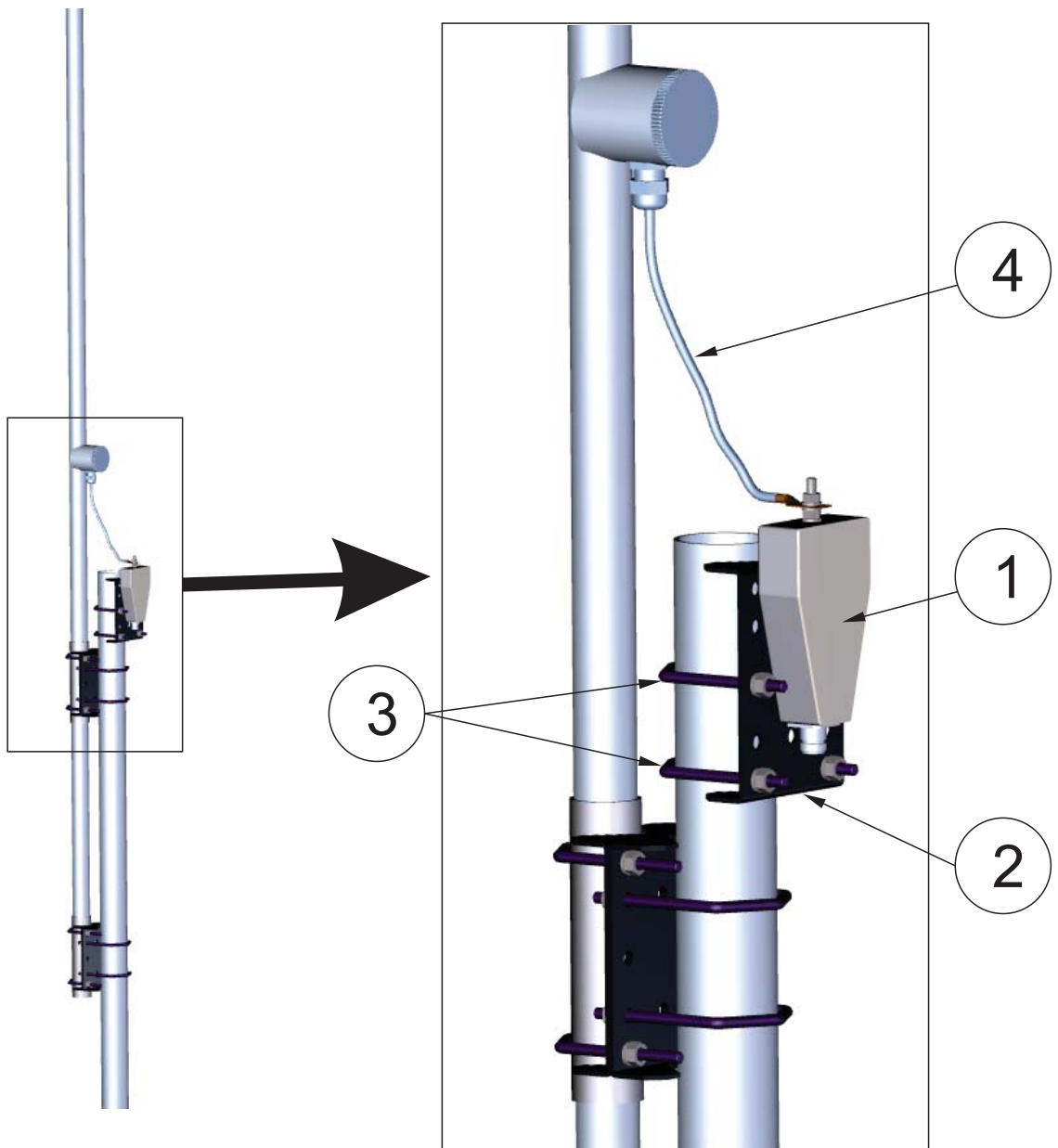


The CONNECTION BOX PK-2 is composed of connection box with N or UHF female connector, attachment console and connecting wire. Attachment box is fixed to the stainless steel console which at the same time acts as a connection between the connector ground point to the metal attachment pipe. Hot connector point has a connection to the antenna sections.

Versions:

PK-2/N: with N female input connector
PK-2/UHF: with UHF female input connector



Item No.	PK-2 Parts List	Units
1	Connection Box with coaxial input connector	1
2	Attachment Console ADK-U/60	1
3	Attachment Clamps ADK-O/60 with nuts and washers	2
4	Connecting Wire with Cable Lugs fi 8 mm	1