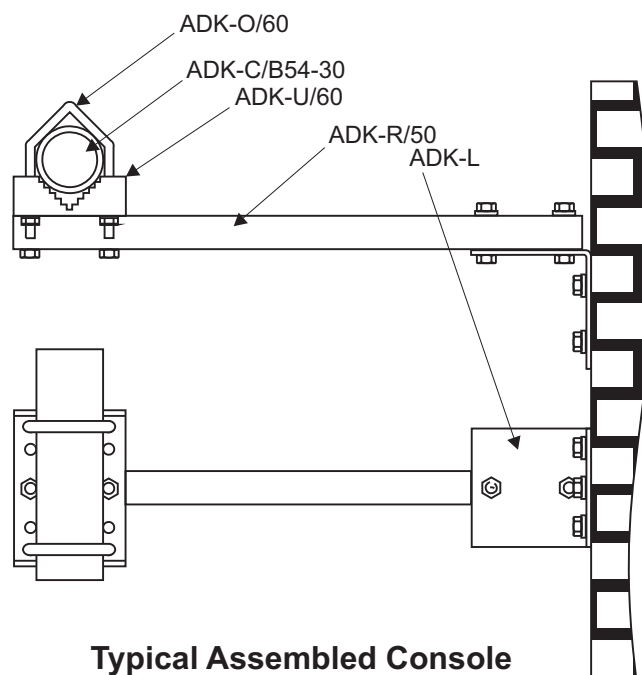
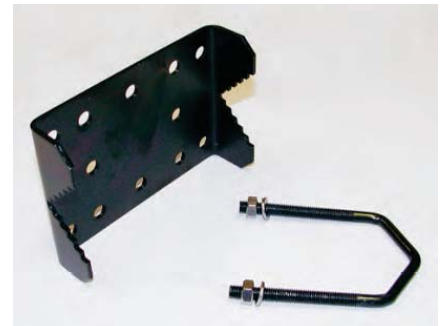
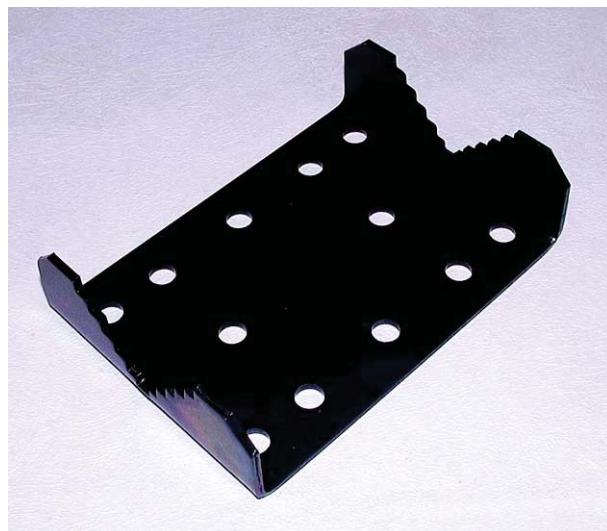
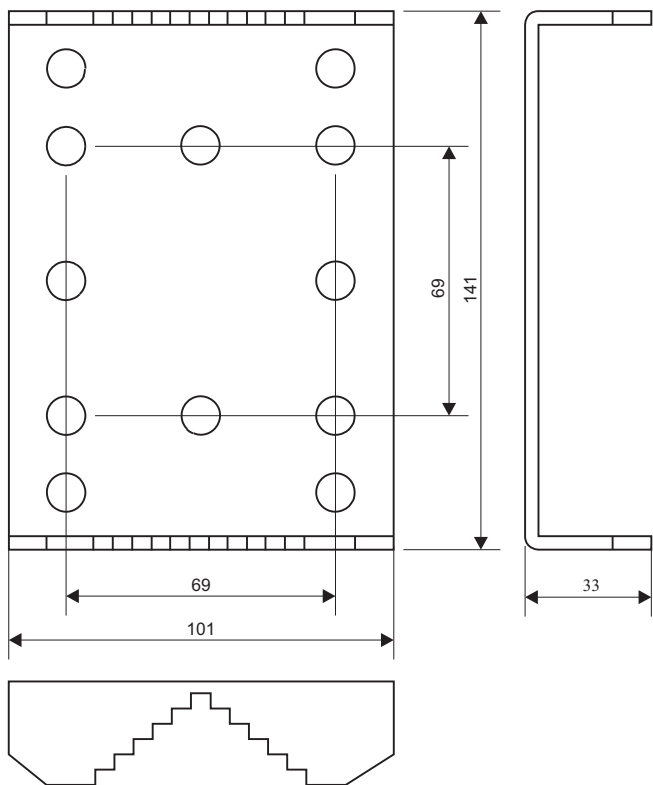


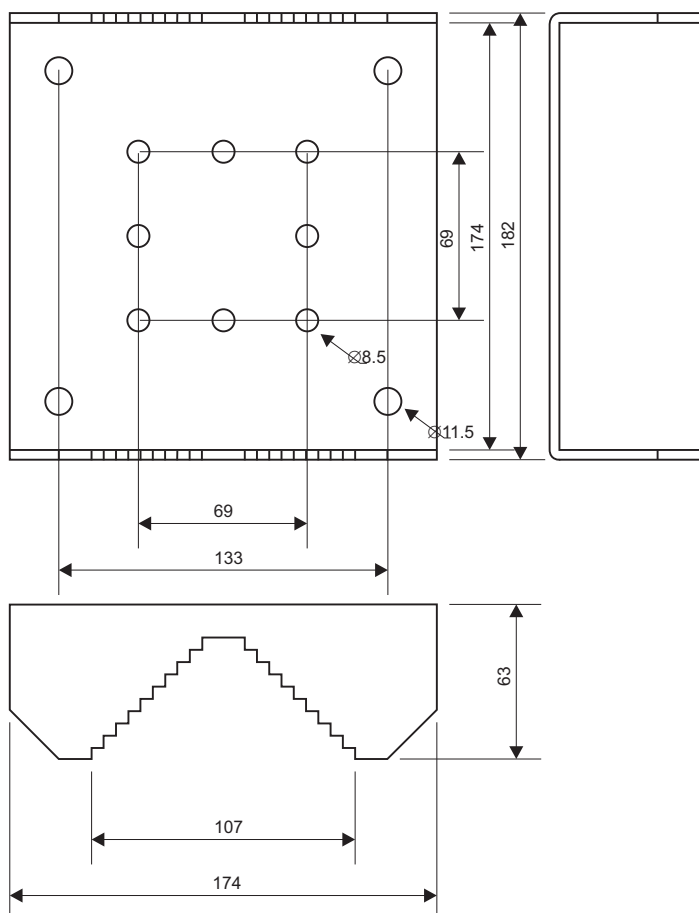
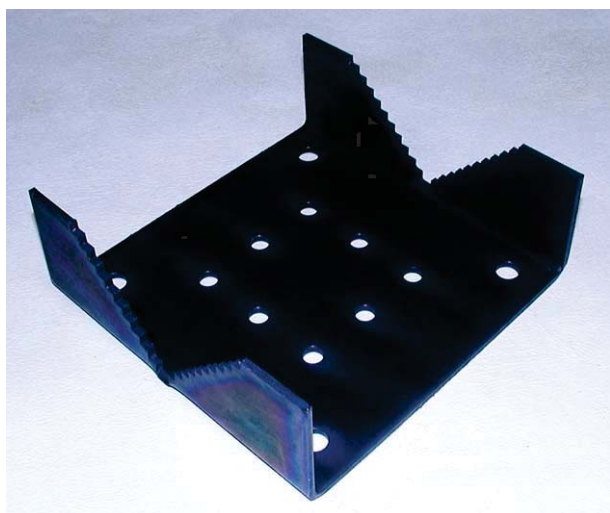
For mounting a major part of our antennas our mounting adapters could be used. They are composed of five basic elements: universal mounting adapter type ADK-U, lengthening arm type ADK-R/..., mounting pipe type ADK-C/..., angle adapter ADK-L and mounting clamp type ADK-O. All these elements enable almost unlimited numbers of combination of mounting one or more antennas in group on the antenna mast or asside it. All elements are made of stainless steel or steel and galvanically protected with zinc and painted with cataphoretic black paint.



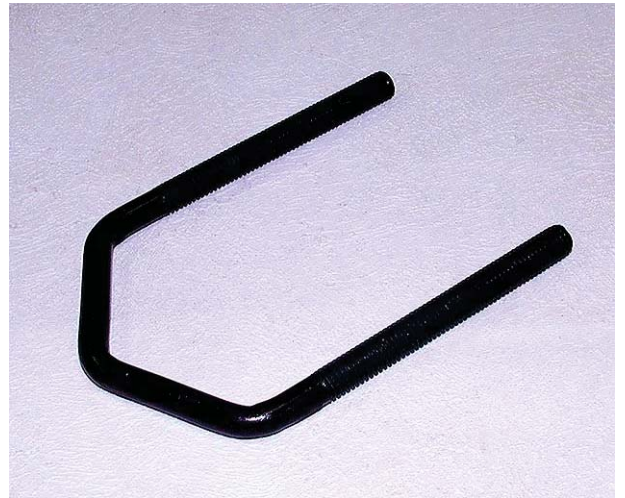
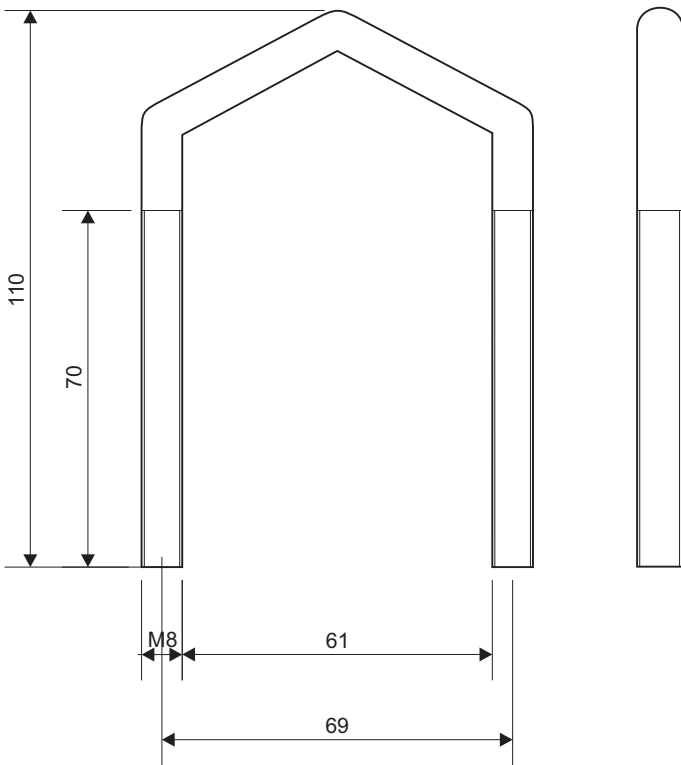
Typical Assembled Console



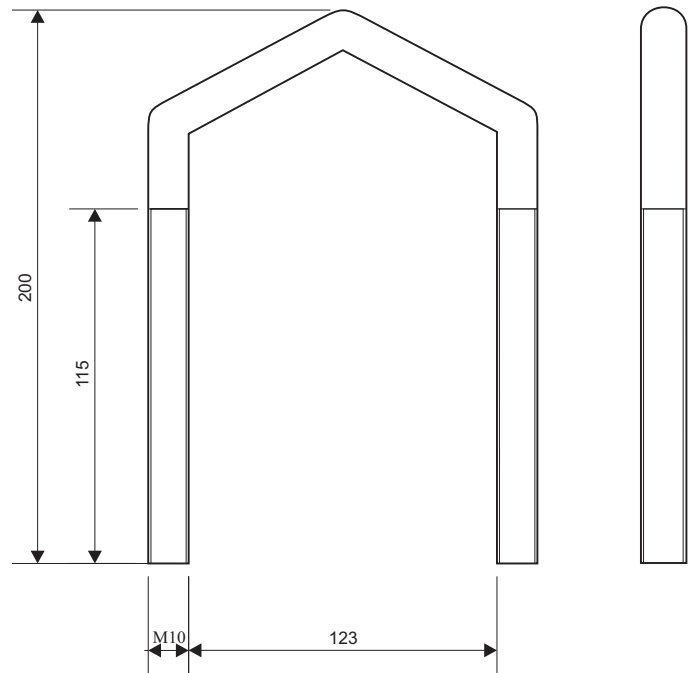
**Antenna Mounting Console
ADK-U/60**
(antenna mast diam. 20 - 60 mm)



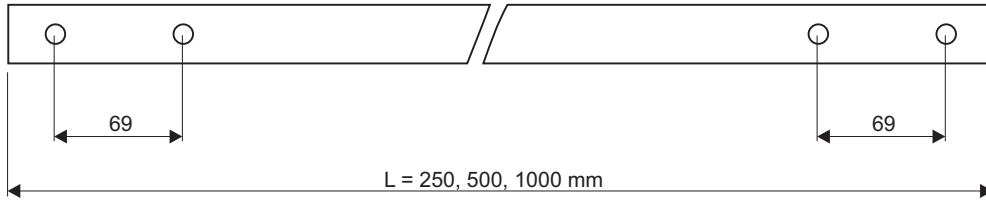
**Antenna Mounting Console
ADK-U/120**
(antenna mast diam. 60 - 120 mm)



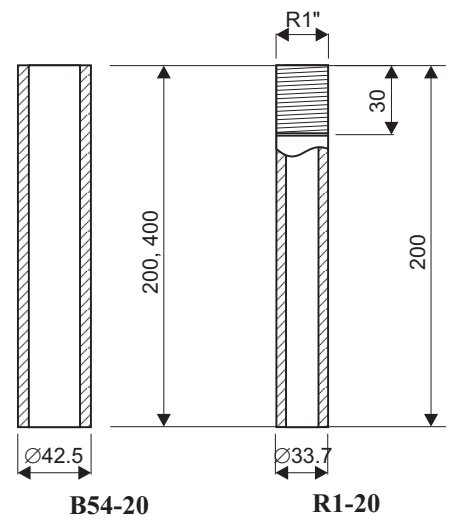
**Antenna Mounting Clamp
ADK-O/60
(antenna mast diam. 20 - 60 mm)**



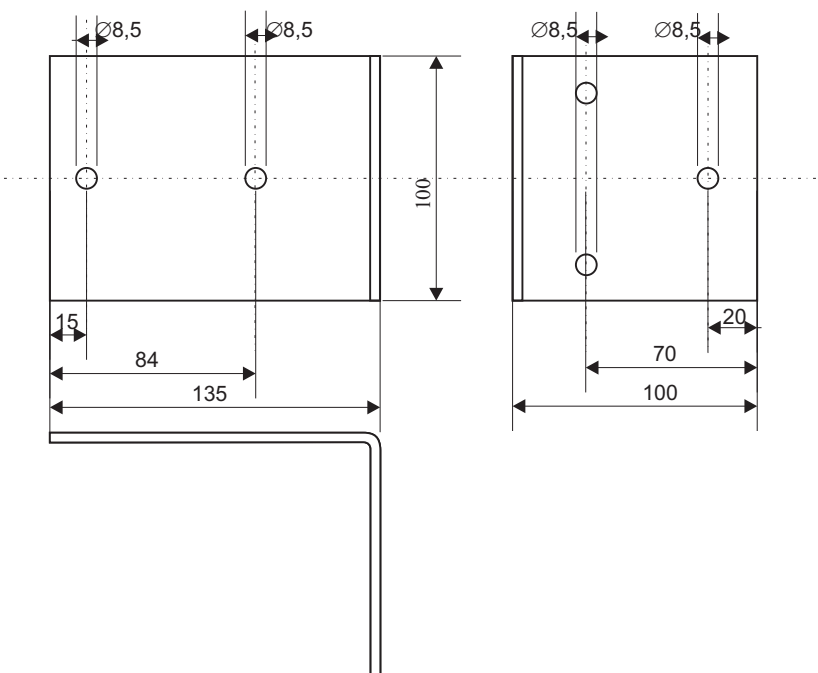
**Antenna Mounting Clamp
ADK-O/120
(antenna mast diam. 60 - 120 mm)**



Antenna Mounting Arm
ADK-R/25 (L = 250 mm)
ADK-R/50 (L = 500 mm)
ADK-R/100 (L = 1000 mm)



Antenna Mounting Tube
ADK-C/R1-20
ADK-C/B54-20
ADK-C/B54-40



Antenna Wall Mounting Bracket
ADK-L

