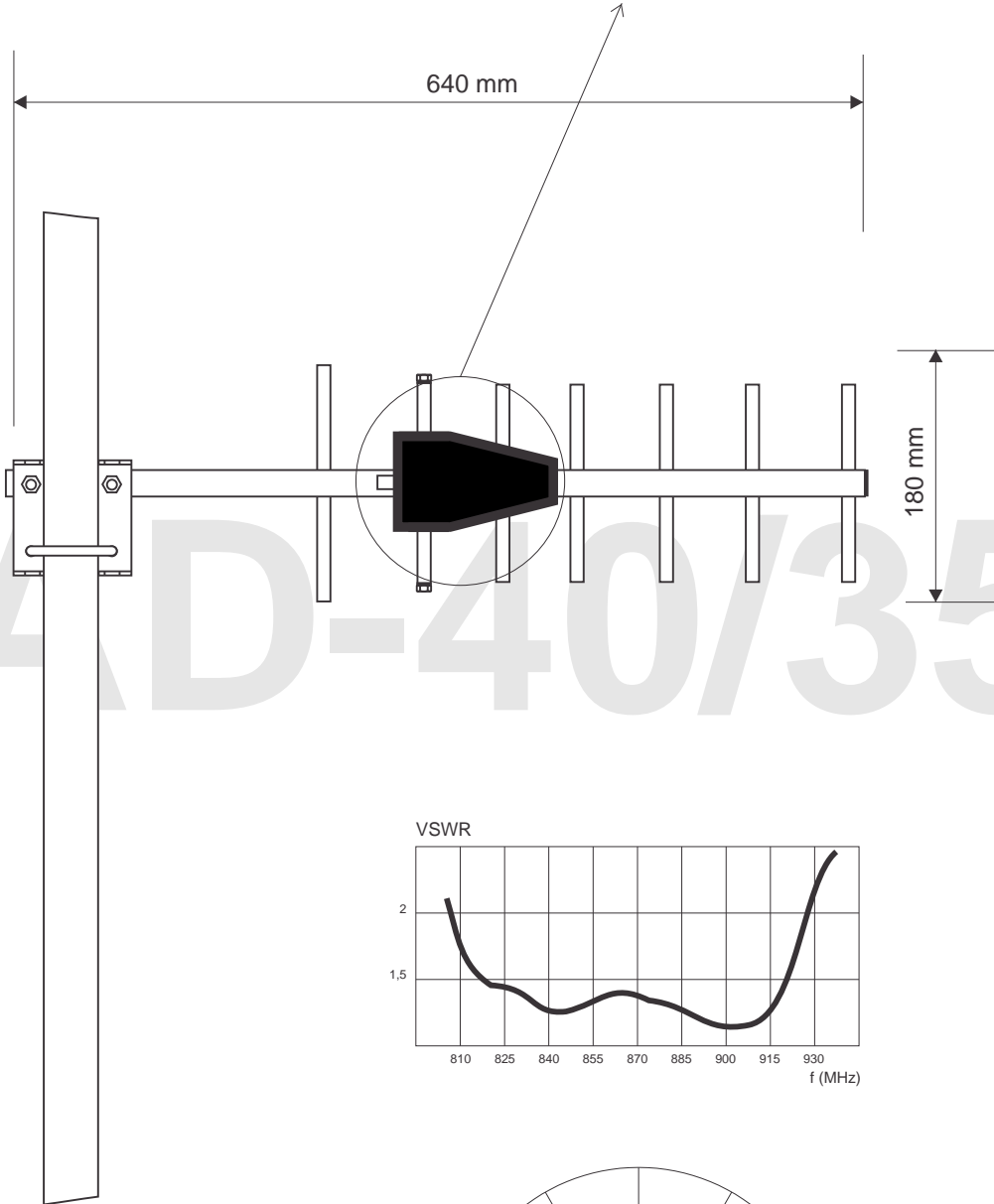
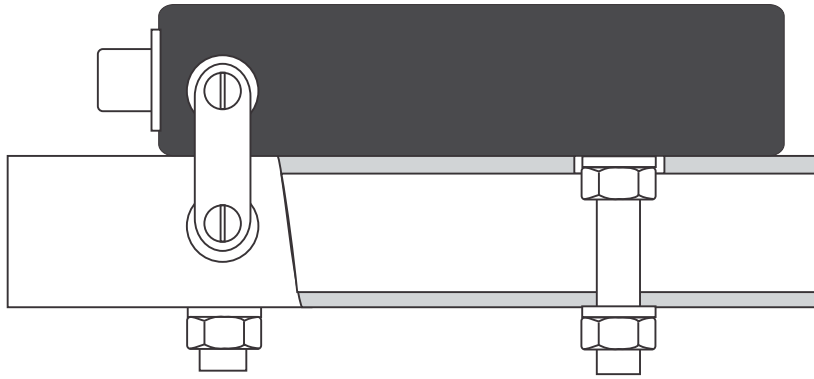


The antenna AD-40/35-7 is 7-element yagi antenna, primarily intended for use on UHF frequency range from 810 to 910 MHz. The antenna is directional with 8,5 dBd gain. The radiator is made of folded dipole enables constant characteristics on whole frequency band. The elements are made of aluminum alloy with 10 mm diameter and inserted into aluminum square tube boom 20 x 20 mm. The mounting adapter is on back side of the boom enables using vertical or horizontal polarization as well. All joint elements are made of stainless steel and matching unit is built in plastic protective housing enable reliable work even in hardest climatic conditions. All metal parts are DC grounded.



Frequency range	810 - 910 Mhz
Impedance	50 ohm
VSWR	< 1,6
Gain	8,5 dBd
Front to Back ratio	> 20dB
Polarization	VERT./HOR.
Maximum power	100 W
Connector	N female
Width	18 cm
Length	64 cm
Mass of antenna	1 kg



AD-40/35-7

