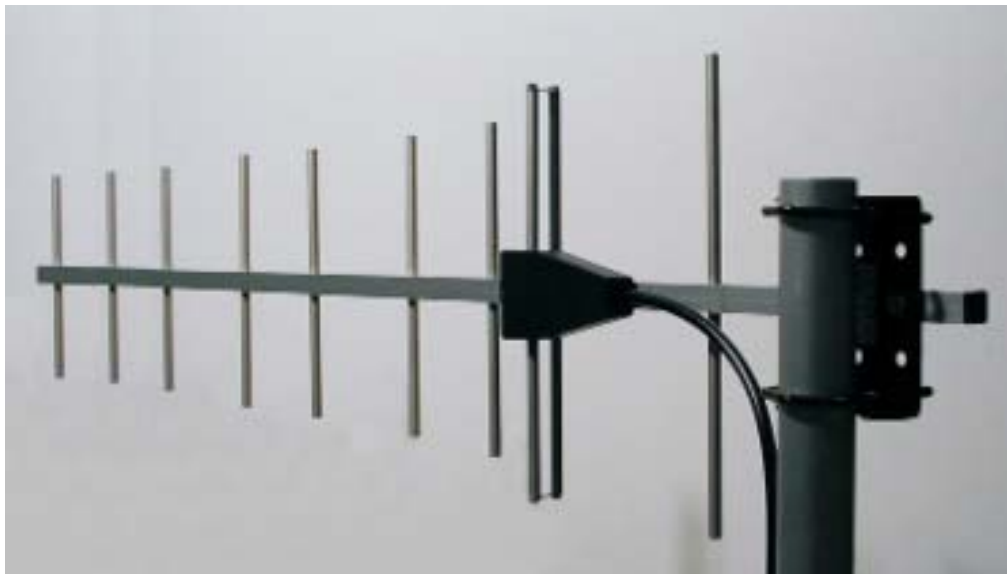
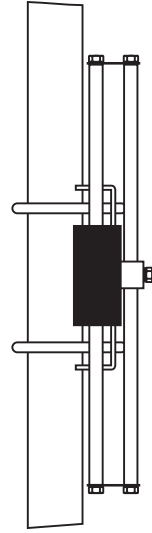
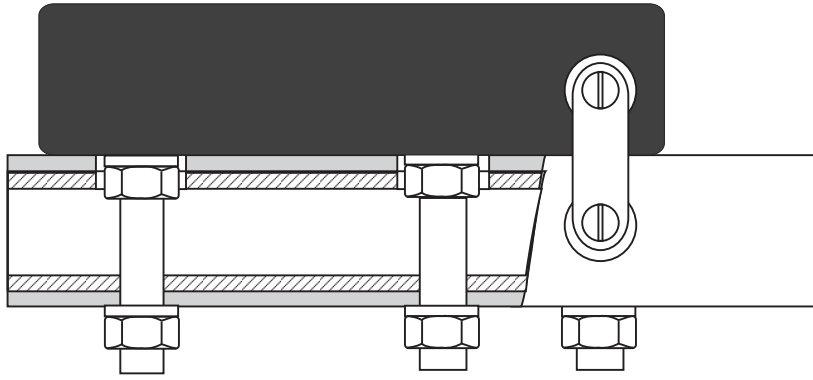


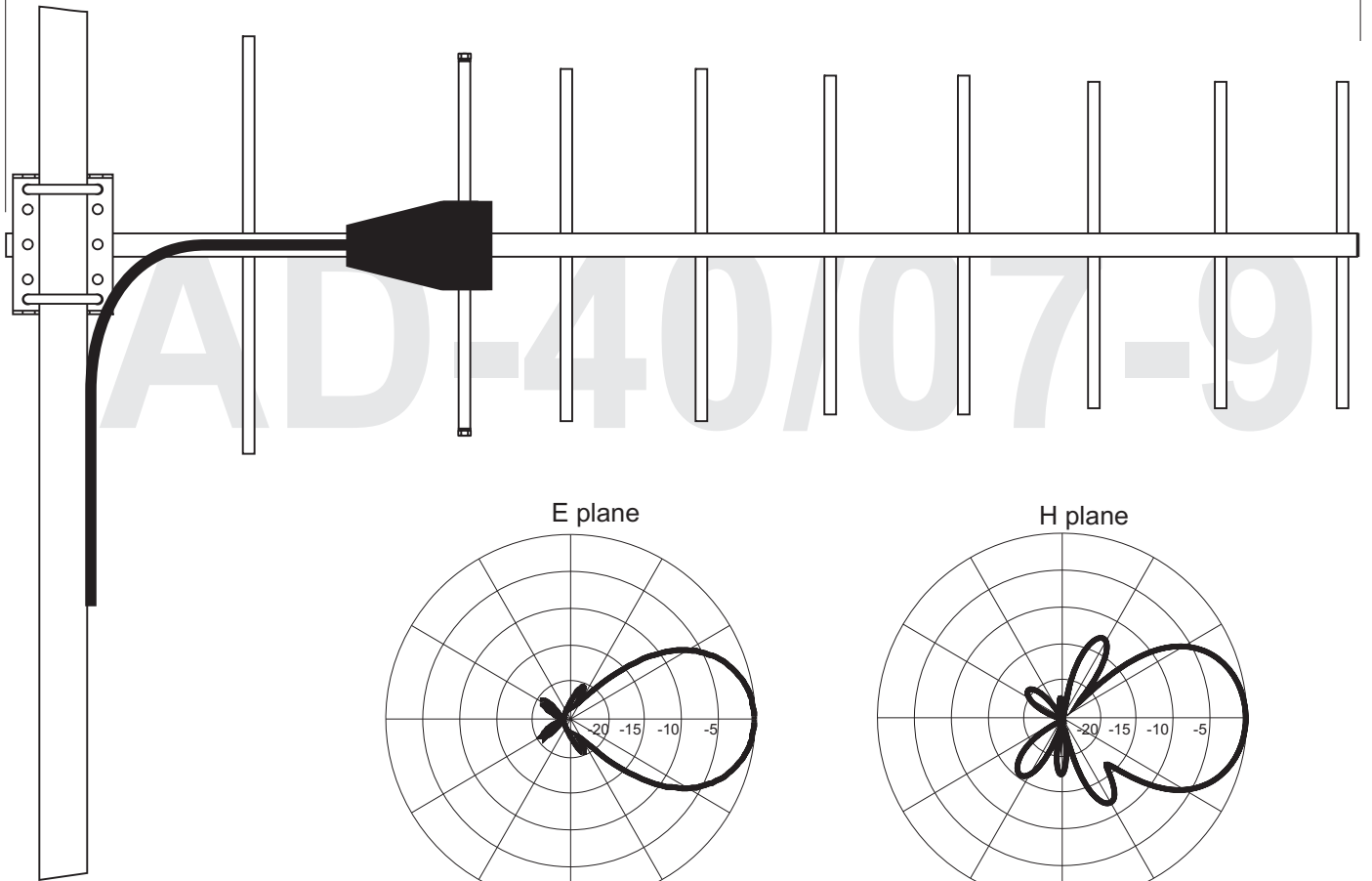
The antenna AD-40/07-9 is 9-element yagi antenna, primarily intended for use on standard UHF frequency range from 390 to 475 MHz. The antenna is directional with 10 dBd gain. The radiator is made of folded dipole enables constant characteristics on whole frequency band. The elements are made of aluminum alloy with 10 mm diameter and inserted into aluminum square tube boom 20 x 20 mm. The mounting adapter is on back side of the boom enables using vertical or horizontal polarization as well. All joint element are made of stainless steel and matching unit is built in plastic protective housing enable reliable work even in hardest climatic conditions. All metal parts are DC grounded.



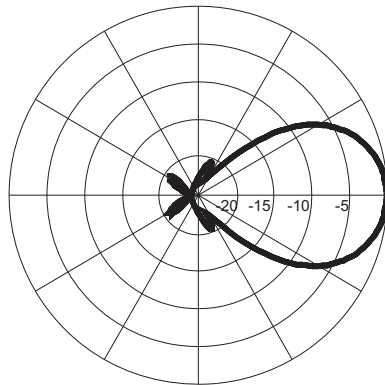
Frequency range	390 - 475 Mhz
Impedance	50 ohm
VSWR	< 1.6
Gain	10 dBd
Front to Back ratio	> 20dB
Polarization	VERT./HOR.
Maximum power	200 W
Connector	1.5 m RG-213 + N
Width	35 cm
Length	135 cm
Mass of antenna	2.8 kg



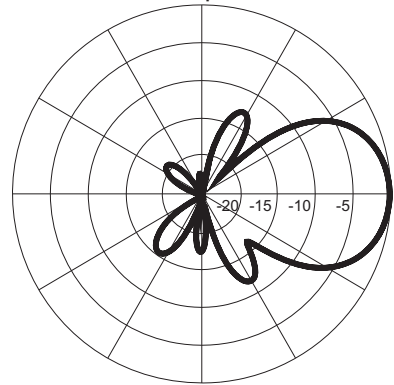
1350 mm



E plane



H plane



VSWR

