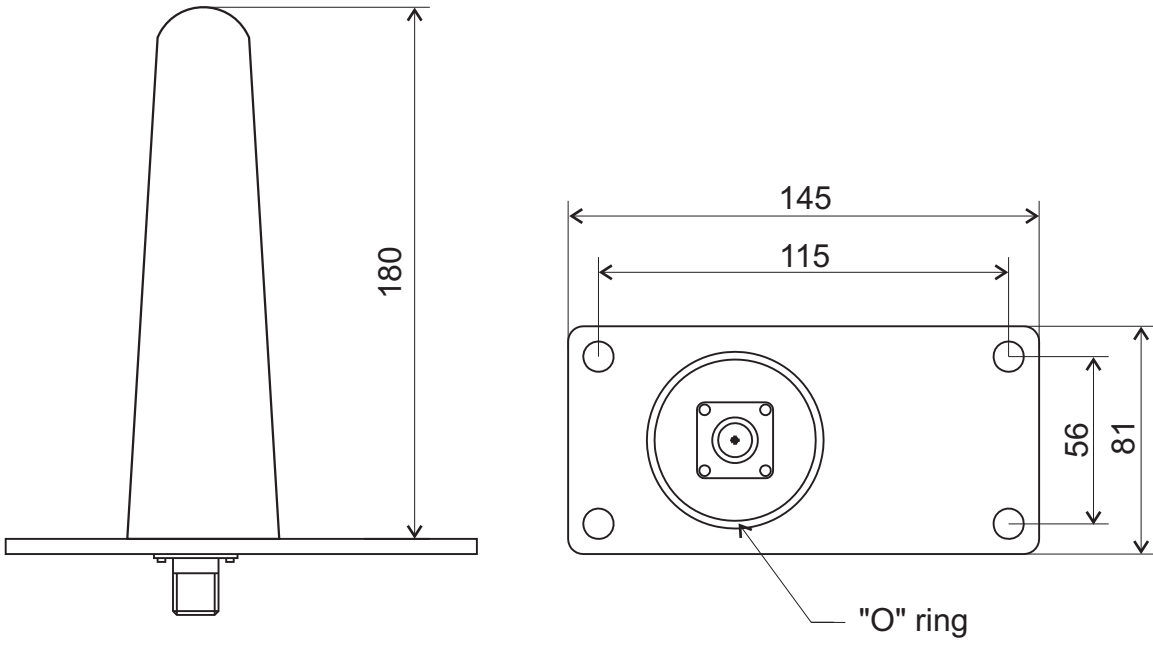


The antenna AD-24/A is a wideband monopole intended for use in the standard frequency range from 430 to 470 MHz. The antenna is composed of a mounting plate with a coaxial connector and of a conical radome made from epoxy - glass composite material where the radiating elements are waterproof built-in. The coaxial connector is protected with the washer. The antenna can be mount directly on flat metal surface and it is primarily intended for use on locomotive engines and other similar vehicles. Therefore its mechanical construction is optimised regarding high vibrations and shocks arising by the engine.



Frequency range	430 - 470 Mhz
Impedance	50 ohm
VSWR	< 1,5 (DIAG. 1)
Gain	2 - 3 dBi
Polarization	VER.
Maximum power	100 W CW
Connector	N
Height	180 mm
Diameter	55/42 mm
Mass of antenna	0,6 kg
Wind velocity	180 km/h
Temperature range	-40....+70 °C



# AD-24/A

