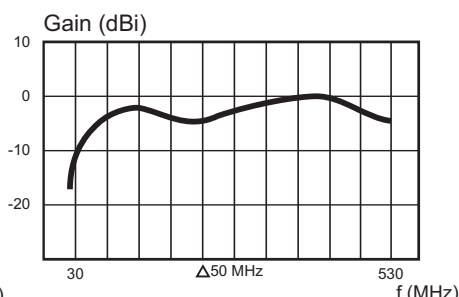
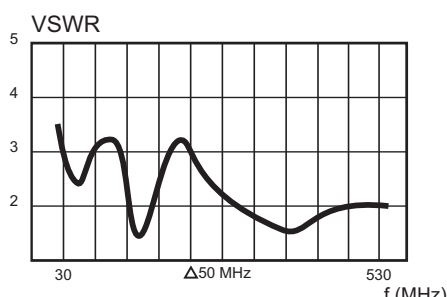


The antenna AD-39/3512 is a dipole antenna primarily intended for use as stationary antenna on VHF and UHF frequency range from 20 - 512 MHz. It is composed of a matching unit in the center with a balun transformer and two dipoles. The matching unit is based on aluminium with plastic housing which makes the unit very light. Both dipoles are made from brass tubing enclosed in fiberglass housing which also contains special passive element for better gain characteristics. All aluminium parts are transparent anodized, stainless steel elements are black passivated, dipoles and mounting tube are black painted - all this together enables long life and reliable work even in the hardest climatic conditions. Mounting accessories for installing the antenna on the appropriate square or round tube with diameter of up to 60mm are also included in the antenna kit. The antenna can be mounted in vertical or horizontal polarization mode.

### VERSIONS:

- **AD-39/3512**: antenna for base station applications
- **AD-39/3512-T**: antenna for field/portable applications

TECHNICAL CHARACTERISTICS	
Frequency range	20 - 512 MHz
Impedance	50 ohm
VSWR	< 3.5
Gain	see diagram
Polarization	VERT./HOR.
Maximum power	100 W
Connector	N female
Max. diameter	65 mm
Height	2990 mm
Arm length	1000 mm (or by request)
Weight	4,2 kg
Wind speed	180 km/h
Temperature operating	-40 ... + 55 °C

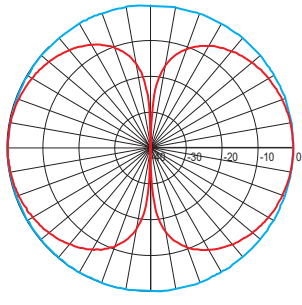


**AD-39/3512-T**

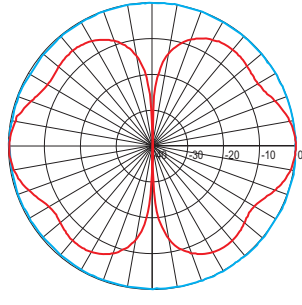


E plane ——— (red line)  
H plane ——— (blue line)

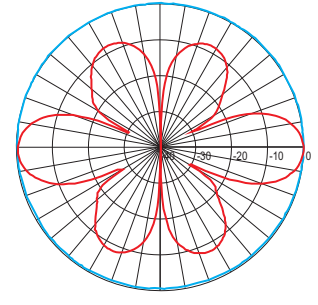
# RADIATION PATTERNS



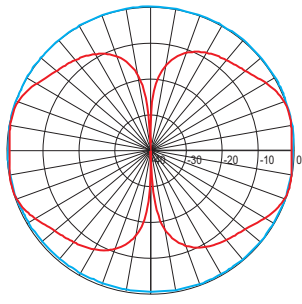
20 MHz



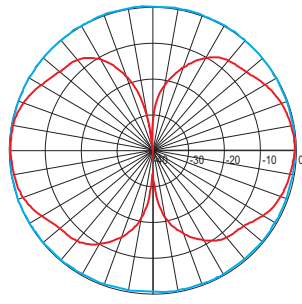
120 MHz



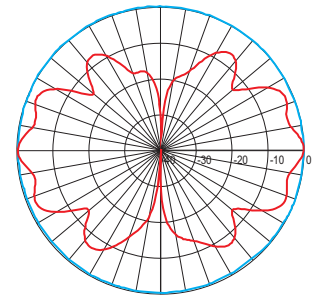
200 MHz



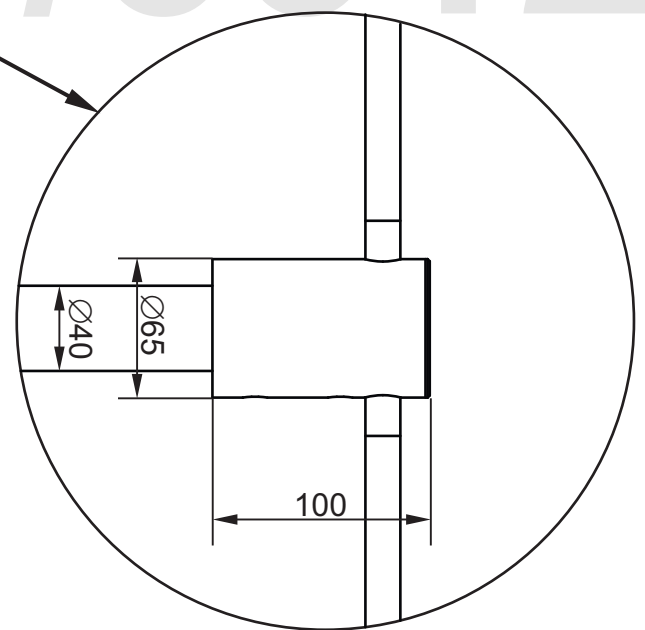
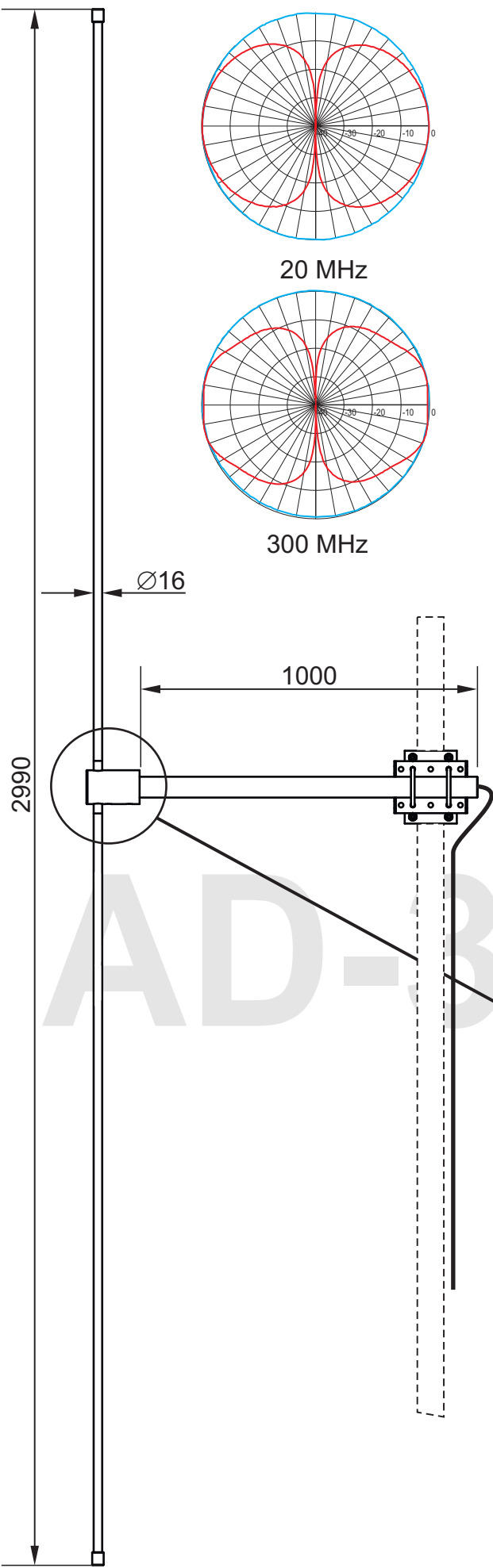
300 MHz



400 MHz



500 MHz



AD-39/3512