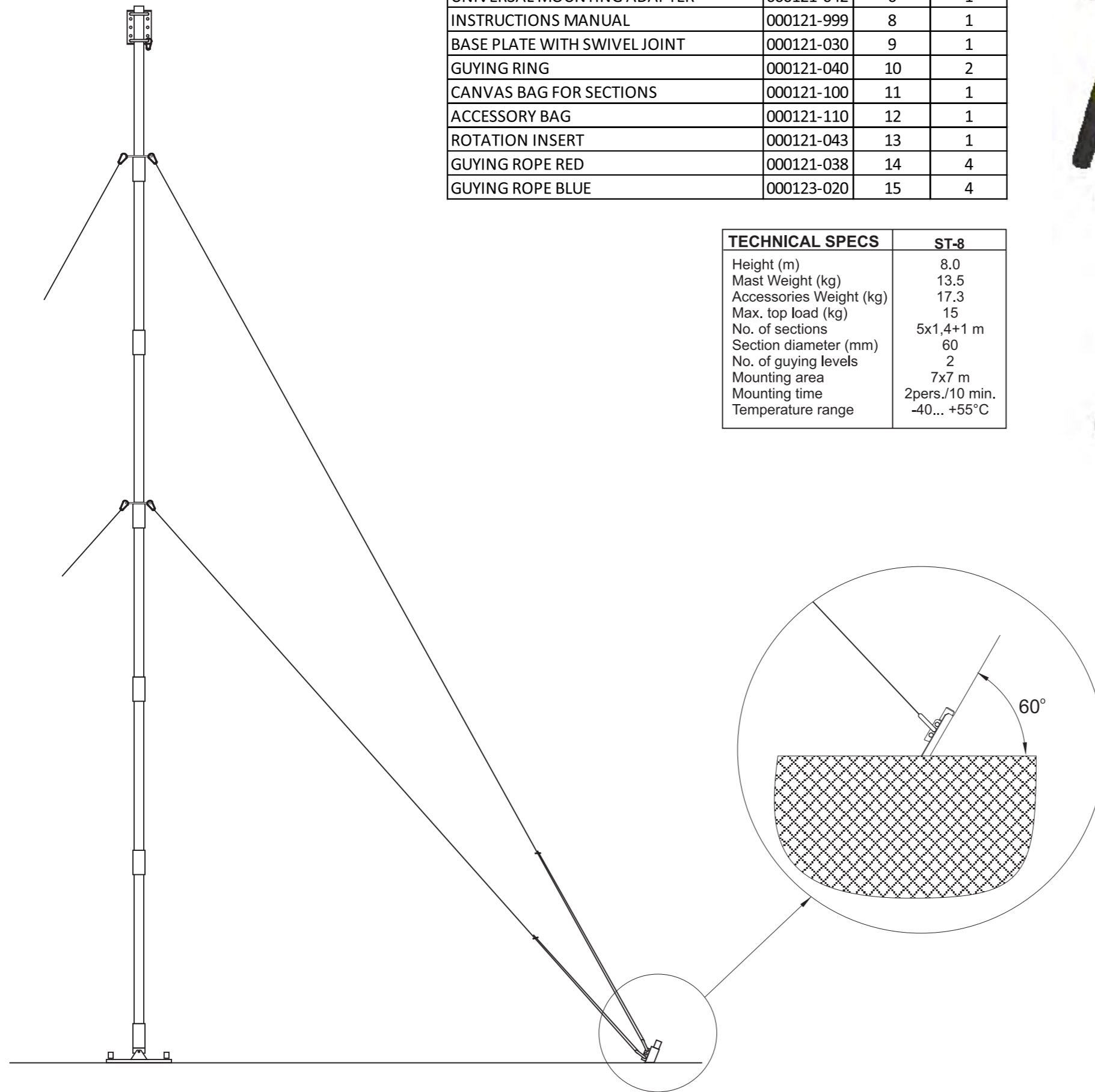
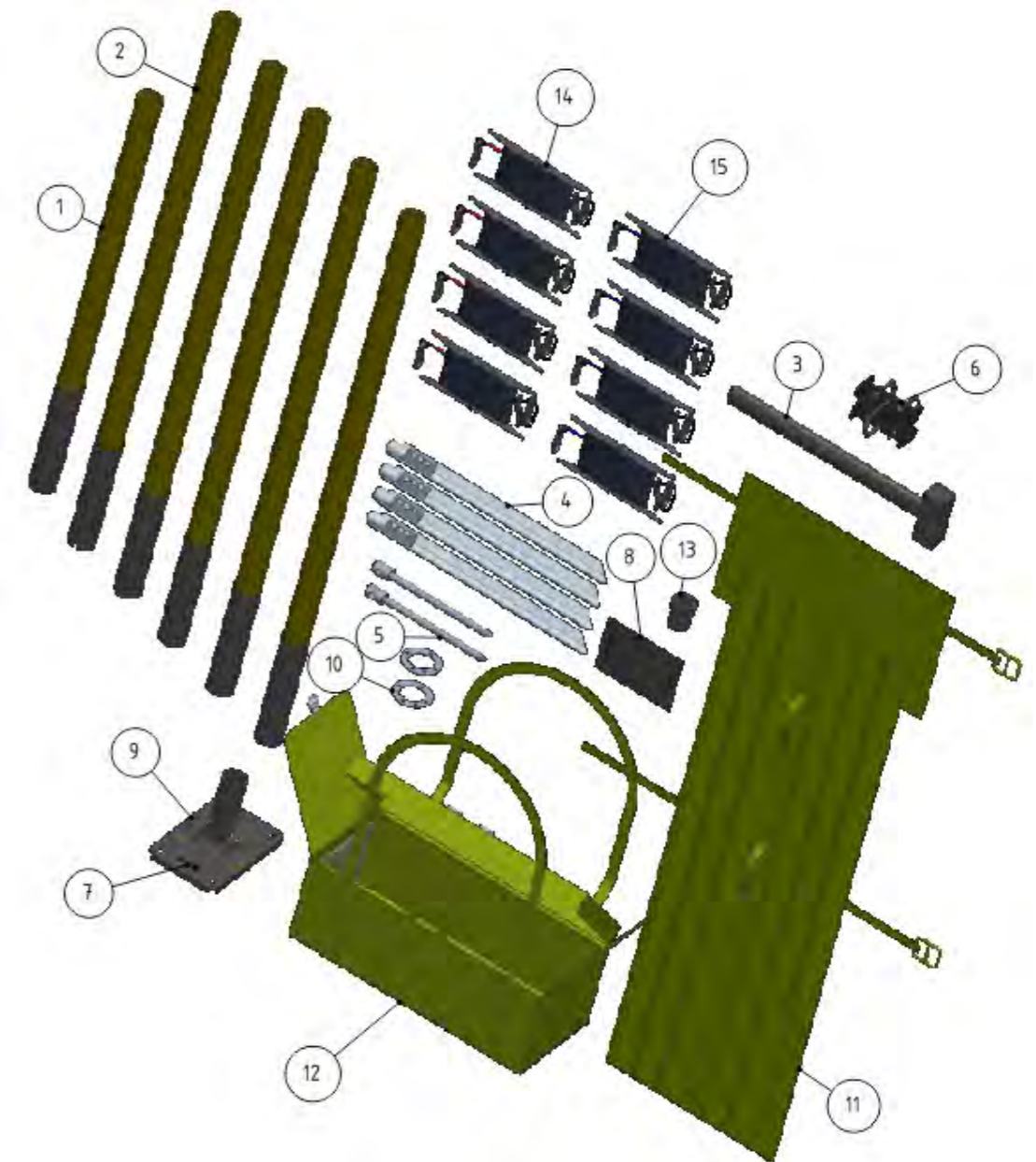


MAST PART NAME	P/N	Pos.	Qty.
TOP MAST SECTION 1M	000121-010	1	1
MAST SECTION 1.4M WITH CROSS BAR	000121-011	2	5
HAMMER 3kg	000307-109	3	1
GUYING ROPE ANCHOR	170518-000	4	4
BASE PLATE ANCHOR	000307-116	5	2
UNIVERSAL MOUNTING ADAPTER	000121-042	6	1
INSTRUCTIONS MANUAL	000121-999	8	1
BASE PLATE WITH SWIVEL JOINT	000121-030	9	1
GUYING RING	000121-040	10	2
CANVAS BAG FOR SECTIONS	000121-100	11	1
ACCESSORY BAG	000121-110	12	1
ROTATION INSERT	000121-043	13	1
GUYING ROPE RED	000121-038	14	4
GUYING ROPE BLUE	000123-020	15	4

TECHNICAL SPECS	ST-8
Height (m)	8.0
Mast Weight (kg)	13.5
Accessories Weight (kg)	17.3
Max. top load (kg)	15
No. of sections	5x1,4+1 m
Section diameter (mm)	60
No. of guying levels	2
Mounting area	7x7 m
Mounting time	2pers./10 min.
Temperature range	-40... +55°C



Open dimensions tolerances	Scale: Not in scale!	Mass: kg
All dimensions are in millimeters unless otherwise indicated.	Material:	
Drawn.	Date	Name
Contr.		
App'd.		
Part Name: Tubular Sectionalized Mast ST-8		Dwg. No. 000122-000
Subst.		Page: 1/1
Subst. with:		

