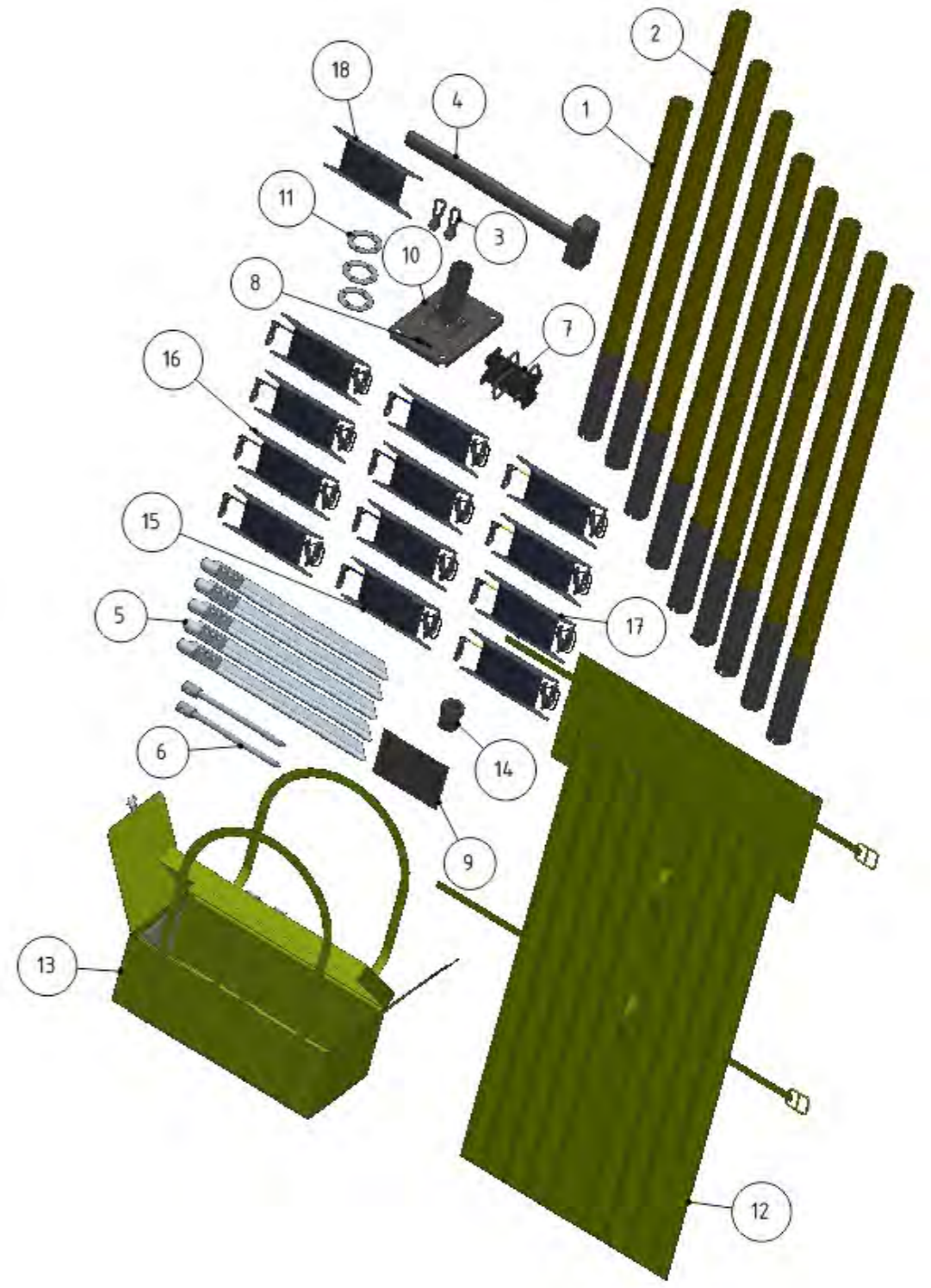
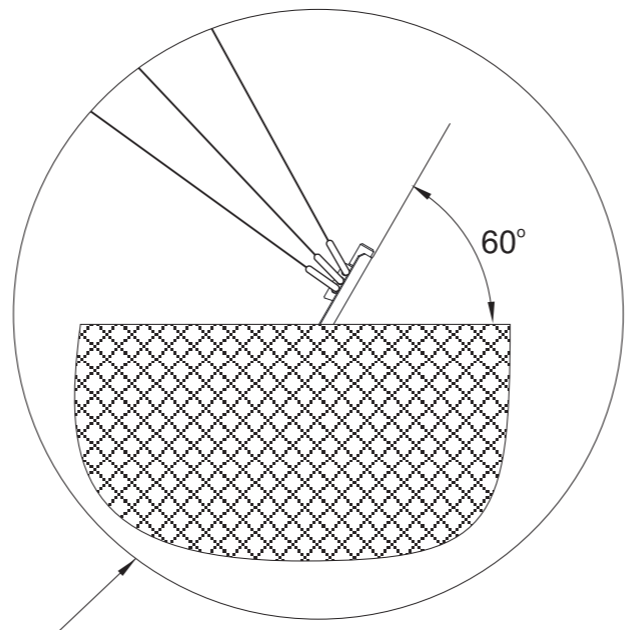


MAST PART NAME	P/N	Pos.	Qty.
TOP MAST SECTION 1M	000121-010	1	1
MAST SECTION 1.4M WITH CROSS BAR	000121-011	2	8
PULLEY WITH CARBINE HOOK	000124-052	3	1
HAMMER 3kg	000307-109	4	1
GUYING ROPE ANCHOR	170518-000	5	5
BASE PLATE ANCHOR	000307-116	6	2
UNIVERSAL MOUNTING ADAPTER	000121-042	7	1
INSTRUCTIONS MANUAL	000121-999	9	1
BASE PLATE WITH SWIVEL JOINT	000121-030	10	1
GUYING RING	000121-040	11	3
CANVAS BAG FOR SECTIONS	000121-100	12	1
ACCESSORY BAG	000121-110	13	1
ROTATION INSERT	000121-043	14	1
GUYING ROPE RED	000123-031	15	4
GUYING ROPE BLUE	000123-019	16	4
GUYING ROPE YELLOW	000124-031	17	4
LIFTING ROPE	000124-008	18	1

TECHNICAL SPECS	ST-12
Height (m)	12.0
Mast Weight (kg)	19.0
Accessories Weight (kg)	20.3
Max. top load (kg)	10
No. of sections	8x1,4+1m
Section diameter (mm)	60
No. of guying levels	32
Mounting area	10x10 m
Mounting time	2pers./10 min.
Temperature range	-40... +55°C



Open dimensions tolerances	Scale: Not in scale!	Mass: kg
All dimensions are in millimeters unless otherwise indicated.	Material:	
Drawn.	Date	Name
Contr.		
App'd.		
Part Name:		
Tubular Sectionalized Mast		
ST-12		
Dwg. No.		Page:
000124-000		1/1
Subst.	Subst. with:	

