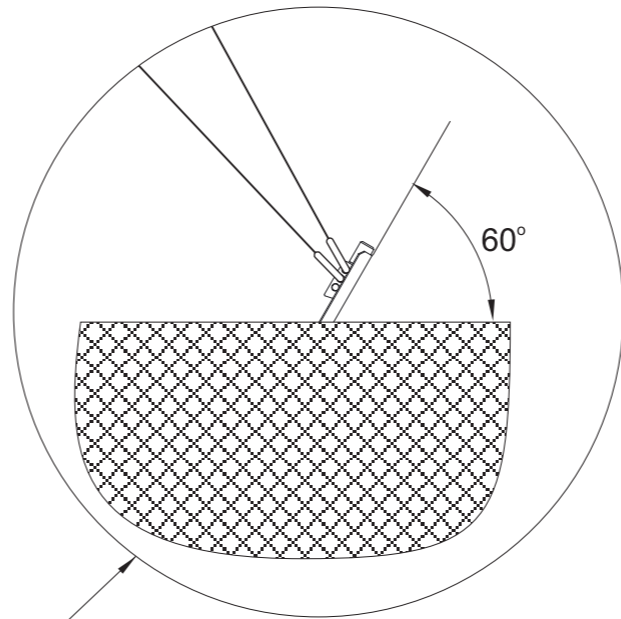
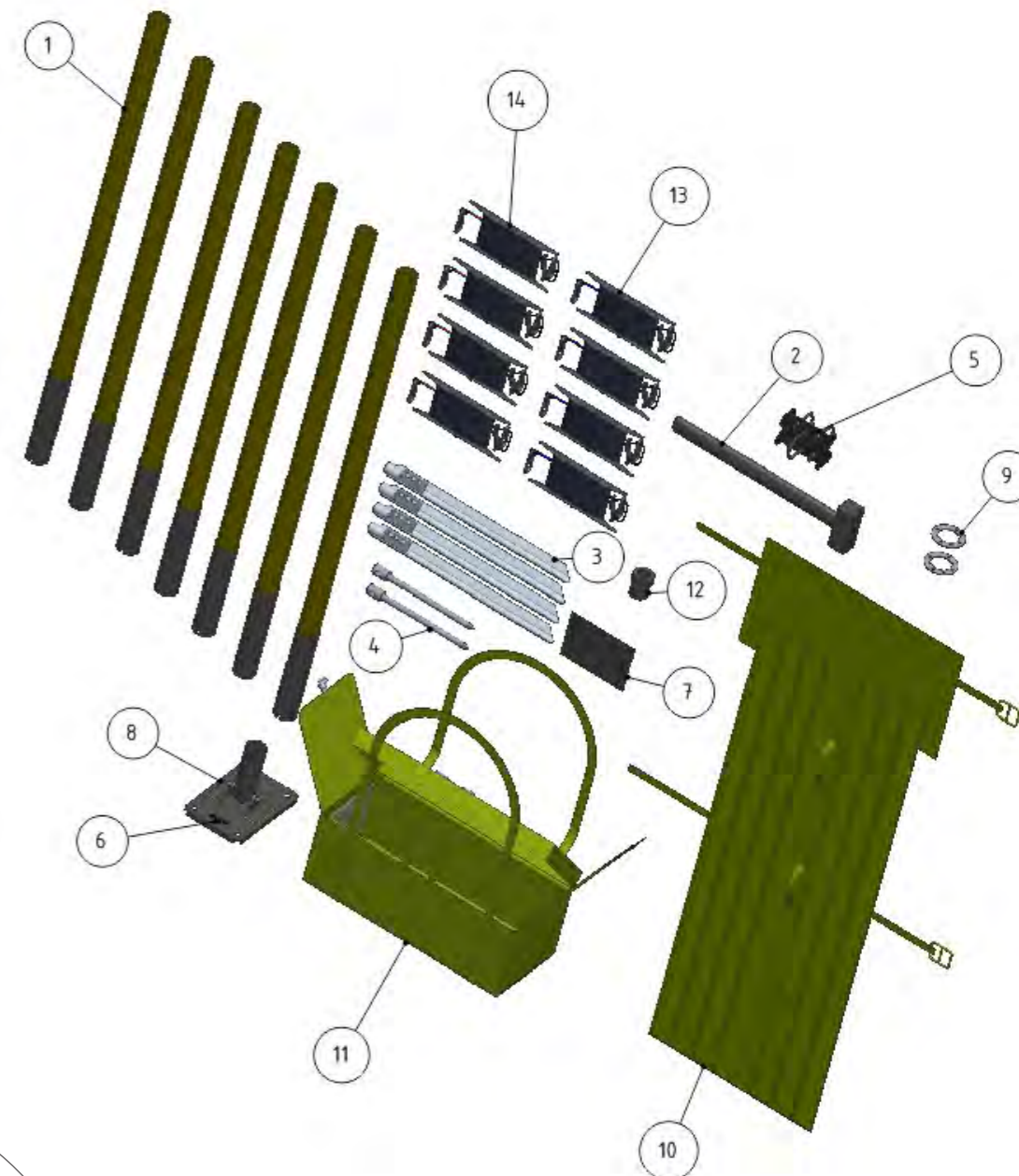


MAST PART NAME	P/N	Pos.	Qty.
MAST SECTION 1.4M WITH CROSS BAR	000121-011	1	7
HAMMER 3kg	000307-109	2	1
GUYING ROPE ANCHOR	170518-000	3	4
BASE PLATE ANCHOR	000307-116	4	2
UNIVERSAL MOUNTING ADAPTER	000121-042	5	1
INSTRUCTIONS MANUAL	000121-999	7	1
BASE PLATE WITH SWIVEL JOINT	000121-030	8	1
GUYING RING	000121-040	9	2
CANVAS BAG FOR SECTIONS	000121-100	10	1
ACCESSORY BAG	000121-110	11	1
ROTATION INSERT	000121-043	12	1
GUYING ROPE RED	000123-031	13	4
GUYING ROPE BLUE	000123-019	14	4

TECHNICAL SPECS	ST-10
Height (m)	10.0
Mast Weight (kg)	15.5
Accessories Weight (kg)	17.3
Max. top load (kg)	10
No. of sections	7x1,4m
Section diameter (mm)	60
No. of guying levels	2
Mounting area	10x10 m
Mounting time	2pers./10 min.
Temperature range	-40... +55°C



Open dimensions tolerances	Scale: Not in scale!	Mass: kg
All dimensions are in millimeters unless otherwise indicated.	Material:	
Drawn.	Date	Name
Contr.		
App'd.		
Part Name: Tubular Sectionalized Mast ST-10		Dwg. No. 000123-000
Subst.		Page: 1/1
Subst. with:		

