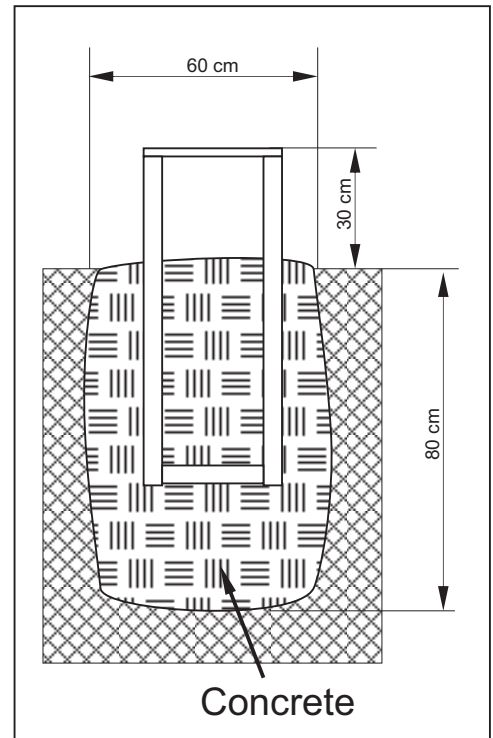


Note: All photos for illustration purposes only!

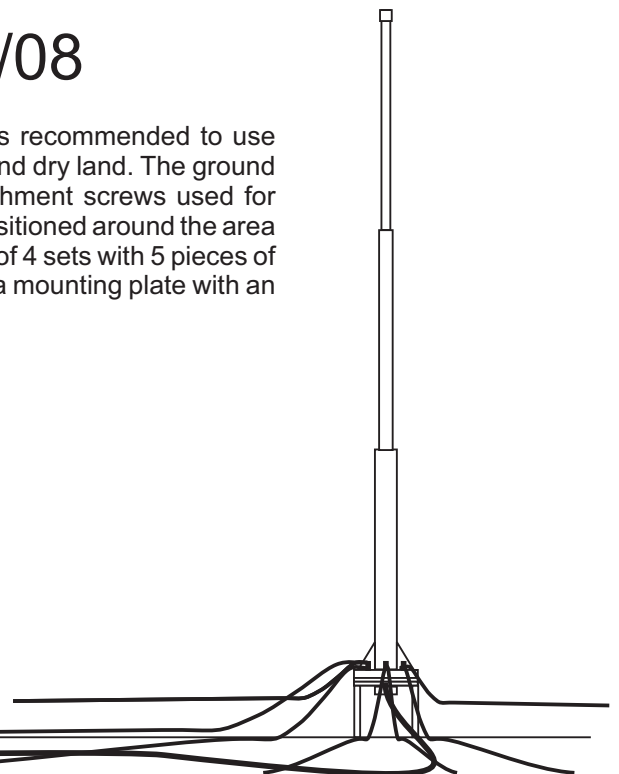
Ground support table ATP-1827/07

In case of installing the antenna on the ground a support device is needed. The ground support table is made of stainless steel and painted with 2-component UV protected PU paint. Before antenna installation the table needs to be concreted into the ground.



Ground radial kit ATP-1827/08

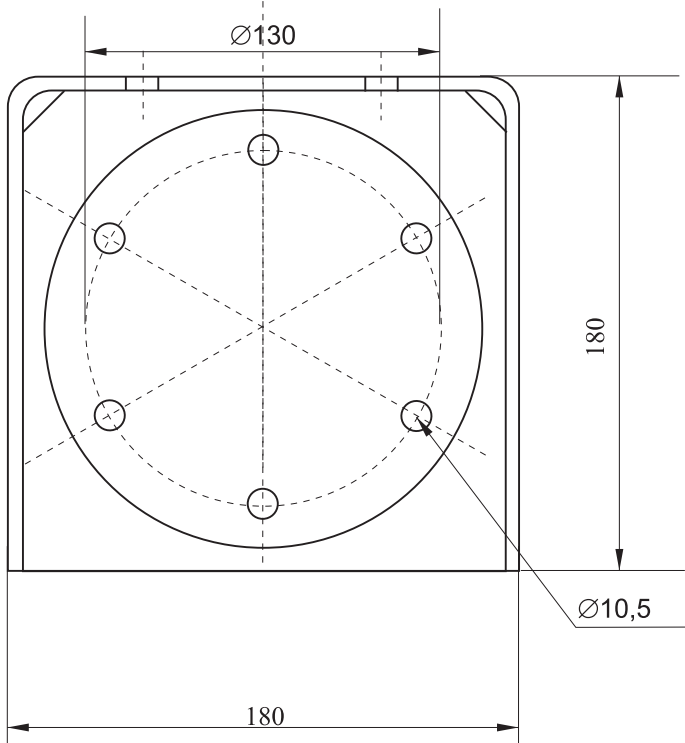
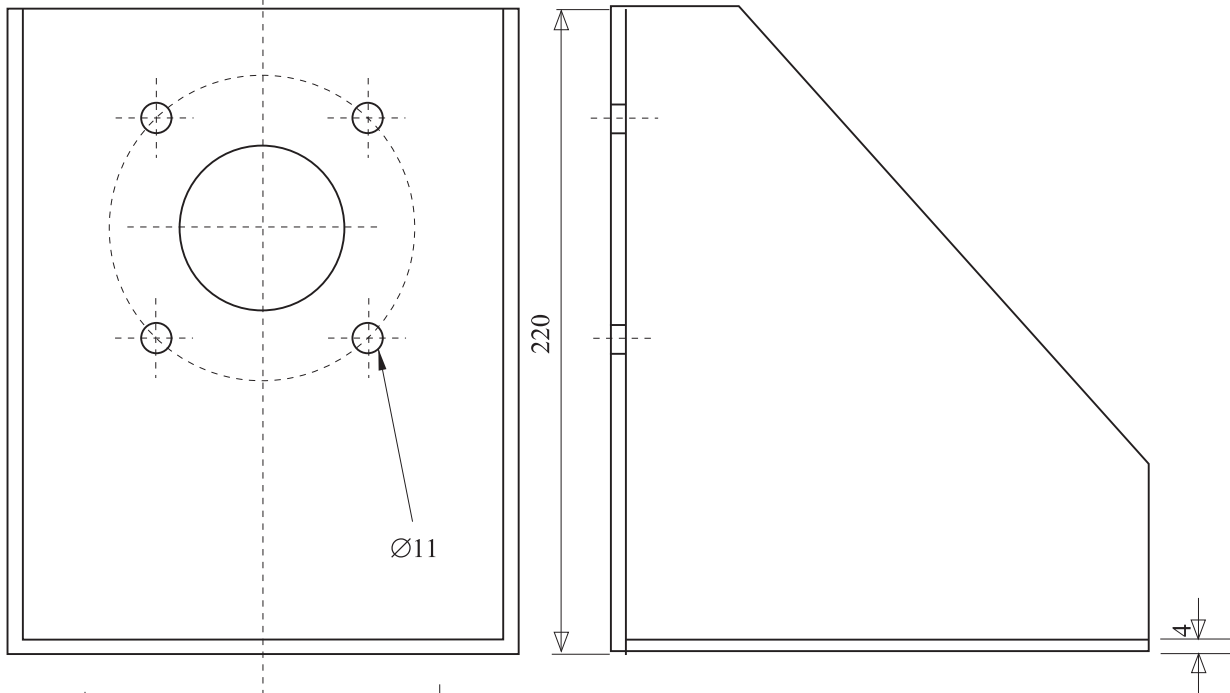
When installing the antenna on ground with poor conductivity it is recommended to use additional grounding radials. This is especially the case in sandy and dry land. The ground radials can be simply connected to the antenna using the attachment screws used for mounting the antenna on the support table. The radials are then positioned around the area evenly away from the support table. The ground radial kit consists of 4 sets with 5 pieces of 25 m long PF wires, meaning 20 radials all together. Each set has a mounting plate with an opening for easy installation.



Note: All photos for illustration purposes only!

Wall mount adapter MP-70

The antenna can be installed on a suitable wall of a building or a vessel using this adapter. It is made of stainless steel 3 mm plate and painted in MIL green.



- All sharp edges rounded to 0.5/45 degr.
- Complete console painted by MIL green (RAL-6014/9a)
- Console Weight: ~ 2.5 kg



Note: All photos for illustration purposes only!

Rope guying kit

The rope guying kit can be used to stabilize the antenna in windy conditions.

Guying kit parts list:

1. Hammer 0,5 kg (1 pc.)
2. Guying anchor (3 pcs.)
3. Rope assembly with guying ring and carabiners (1 set.)

