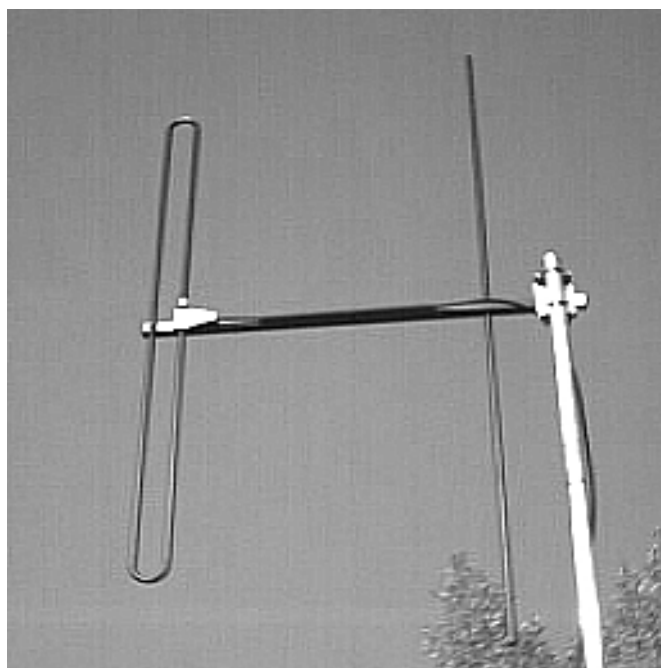
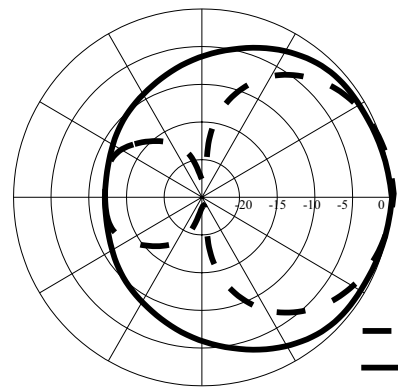
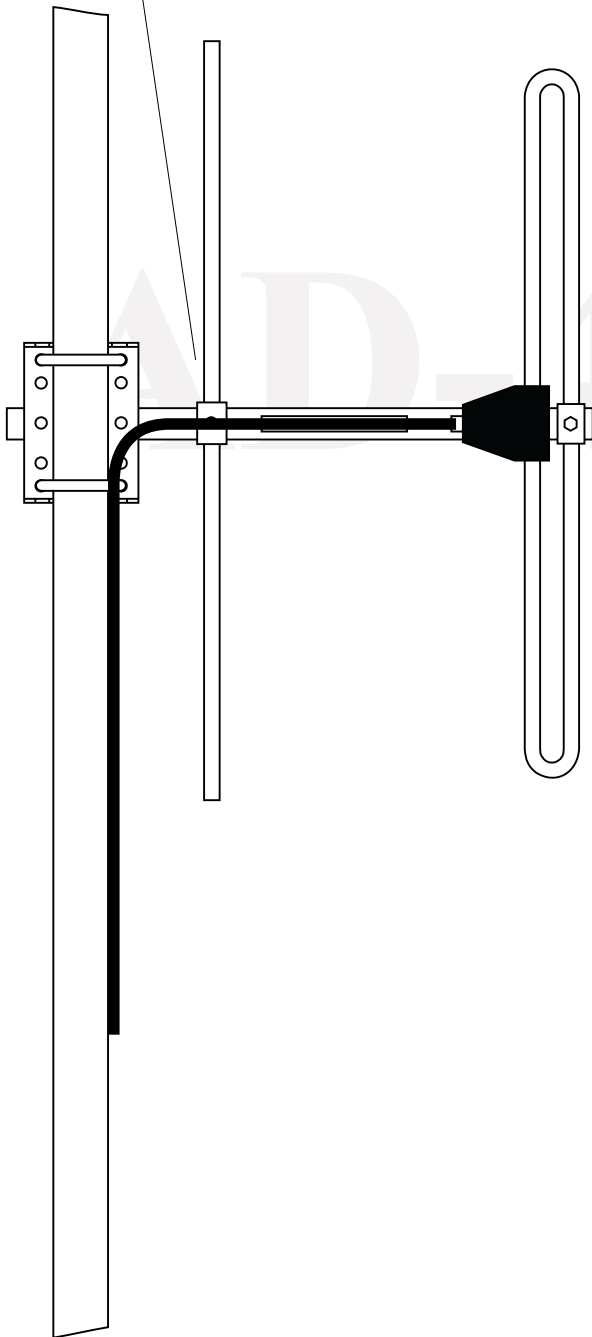
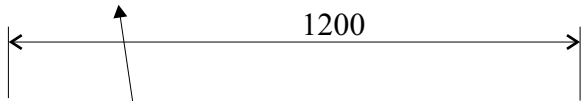
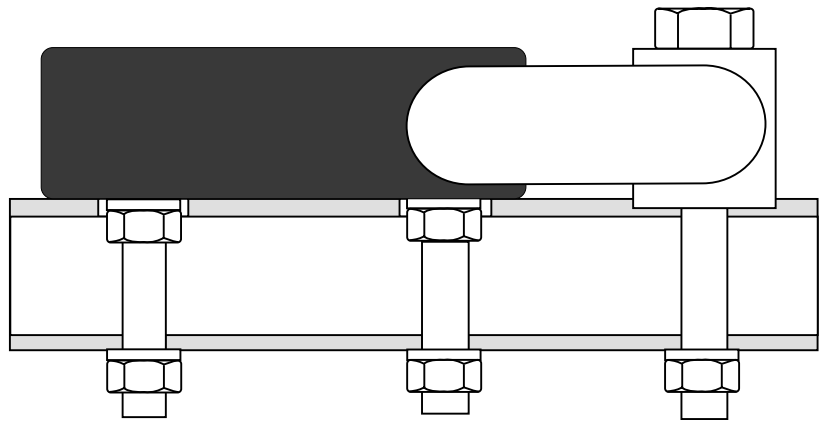
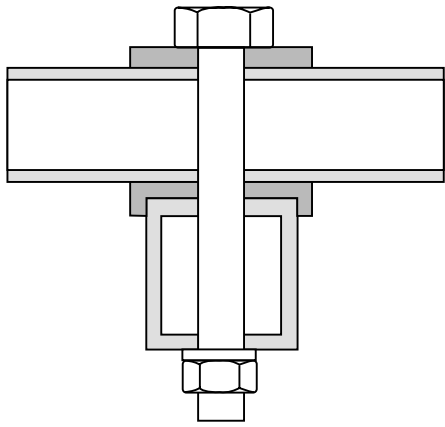


The antenna AD-40/4-2 is 2-element wideband yagi antenna, primarily intended for stationary use on standard VHF frequency range from 72 to 86 MHz. The antenna is directional with 3 dBd gain. The radiator is made of folded dipole enables constant characteristics on whole frequency band. The elements are made of aluminum alloy tube 18/16 mm and inserted into aluminum square tube boom 30 x 30 mm. The universal mounting adapter is on back side of the boom enables vertical or horizontal polarization as well. All joint elements are made of stainless steel, matching unit is built in plastic protective housing and all aluminium parts are transparent anodized enable long life and reliable work even in hardest climatic conditions. All metal parts are DC grounded.



TECHNICAL DATA	
Frequency range	72 - 86 MHz
Impedance	50 ohm
VSWR	< 1,8
Gain	3 dBd
Front to Back ratio	> 12 dB
Polarization	VERT./HOR.
Maximum power	100 W
Connector	1,5 m RG-213 + N
Width	205 cm
Length	120 cm
Mass of antenna	3,5 kg



--- E plane
 ——— H plane

