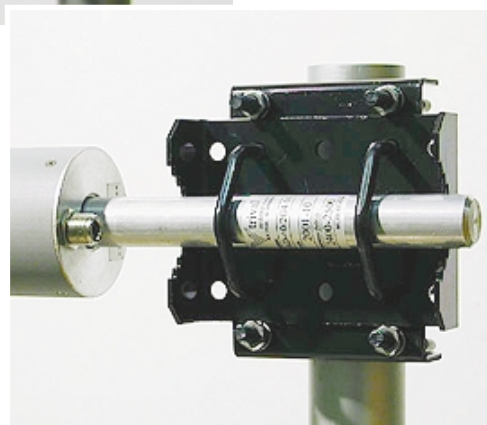


The antenna AD-40/2G4-16 is directional antenna intended for use on frequency range 2.4 GHz mainly for wireless LAN or WAN networks or for other applications in this ISM band as well. The antenna with its high gain enables transmission of signal on larger distances. The antenna is designed as yagi antenna with all the elements enclosed in UV resistant PE radome which ensures using in hardest climatic conditions. The antenna has built-in N female input connector on the back flange together with special supporting pipe enables easy polarisation change and mounting on support masts with diameter up to 60 mm.



TECHNICAL DATA	
Frequency range	2400- 2500 MHz
Impedance	50 ohm
VSWR	< 1.3 (DIAG. 1)
Gain	13 dBd
Radiation Pattern - 3 dB	
- E plane	28°
- H plane	30°
Front-to-back ratio	> 20 dB
Polarisation	HOR./VER.
Maximum power	50 W CW
Length	510 mm
Width	75 mm
Mass	2.4 kg
Wind velocity	150 km/h
Temperature range	-40...+70 C

