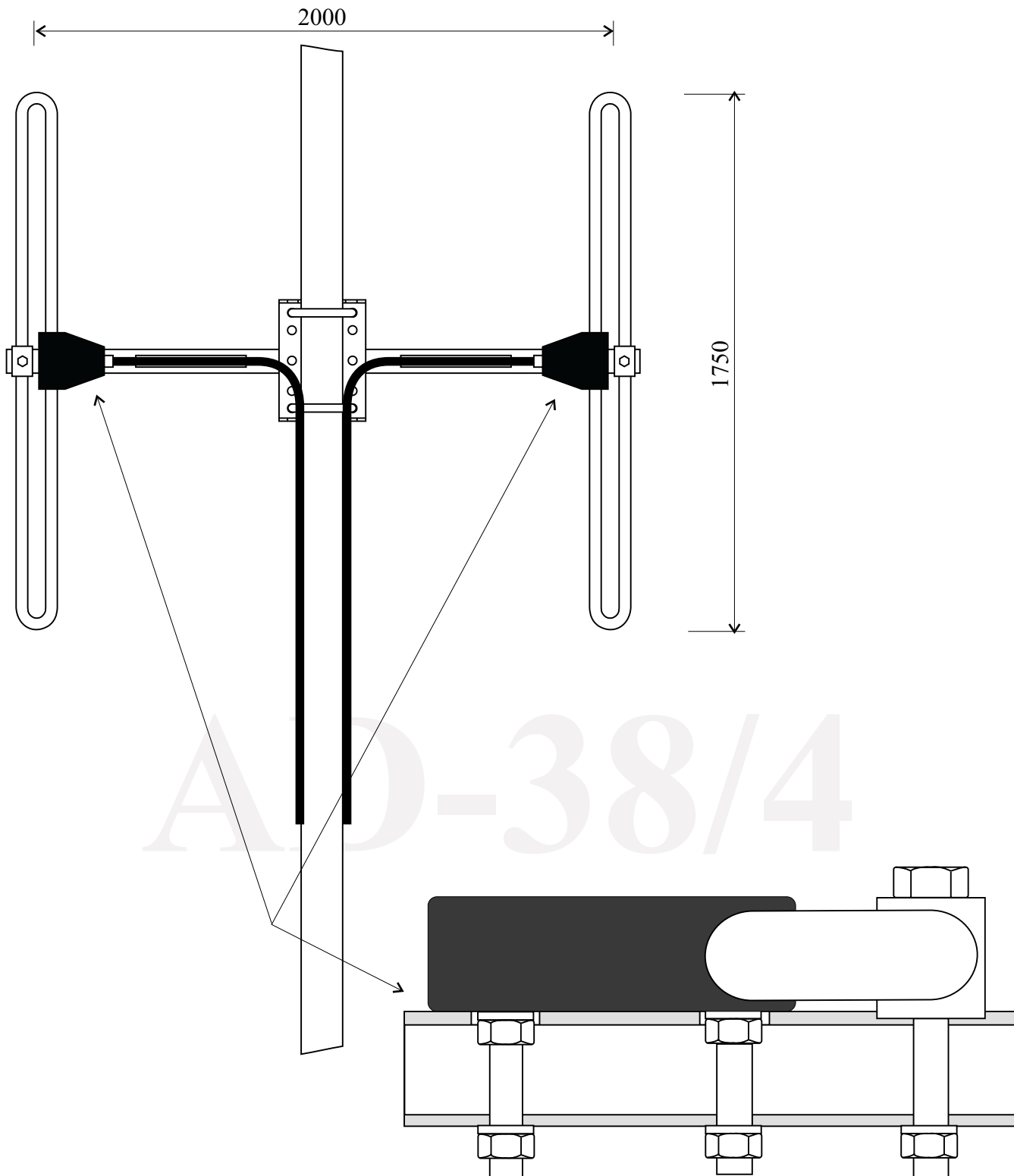
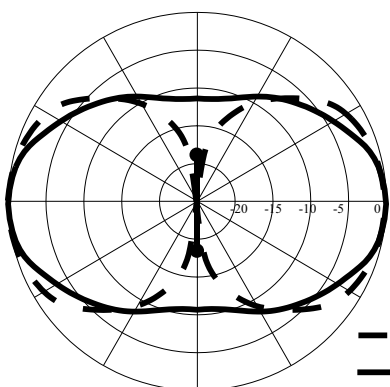


The family of wideband antennas AD-38 is composed of so called double folded dipoles primarily intended for use as stationary antennas on VHF and UHF frequency range. The antenna is composed of two folded dipoles mounted on common supporting boom. Each dipole has 3 m of coaxial cable type RG-213/U with N male type connector which must be connected on two-way power divider type APS-38/4-2. Such antenna system has elliptical horizontal radiation pattern with 3 dBd gain. With different combinations of several antennas a different radiation patterns with different gains could be easily achieved depending on our signal coverage requirement. Dipoles are made of aluminum alloy tube with 18 mm of diameter and mounted on square aluminum boom 30 x 30 mm together with mounting console enables the antenna to be mounted on antenna mast with external diameter up to 60 mm. All aluminium parts are transparent anodized enable long life and reliable work even in hardest climatic conditions.

TECHNICAL DATA	
Frequency range	68-88 MHz
Impedance	50 ohm
VSWR	< 1,8
Gain	3 dBd
Polarization	VERT.
Maximum power	200 W
Connector	N
Height	175 cm
Lenght	200 cm
Mass of antenna	5 kg



AD-38/4



--- E plane
 — H plane

