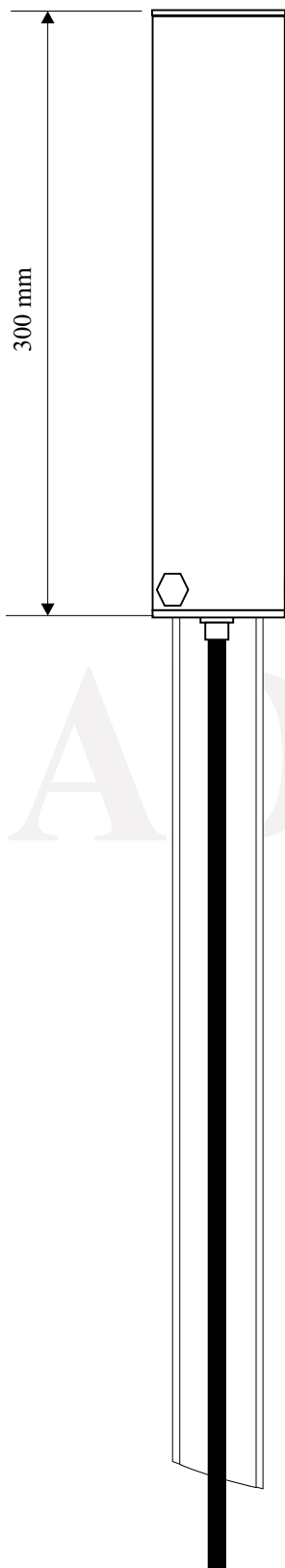


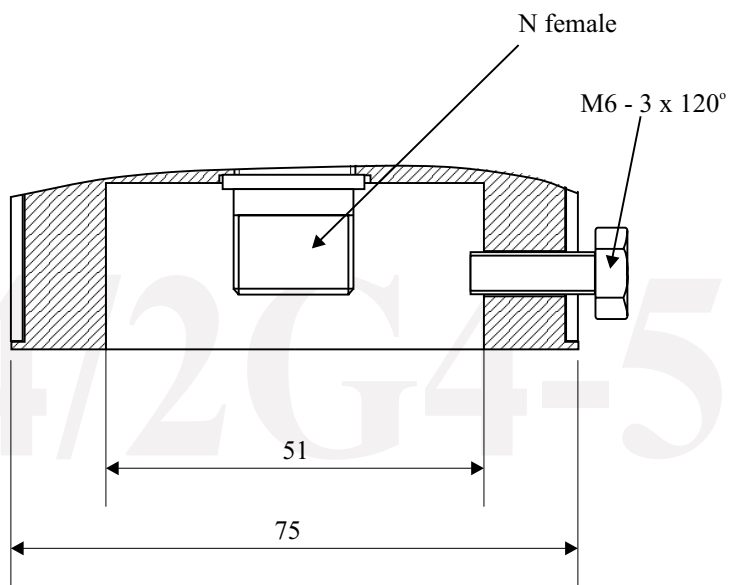
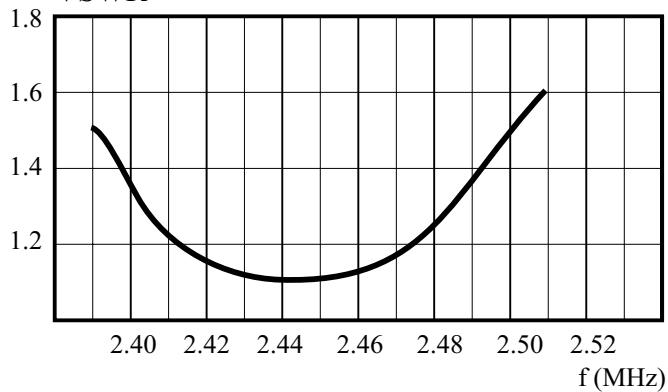
The antenna AD-34/2G4 is a coaxial collinear antenna primarily intended for use on 2.4 GHz ISM band mainly for wireless LAN or WAN networks or for other applications in this range as well. The antenna is designed as collinear dipole composed of 1/4 and two 5/8 sections enable omnidirectional radiation pattern in horizontal plane. All elements are enclosed in UV resistant PE radome which ensures using in hardest climatic conditions. The antenna has N female connector at the mounting flange. The antenna could be mounted on metal masts with diameter up to 50 mm or with use of appropriate combination of our console elements from the family of mounting consoles type ADK.



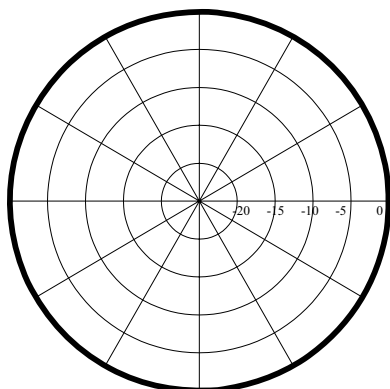
TECHNICAL DATA	
Frequency range	2400 - 2500 MHz
Impedance	50 ohm
VSWR	< 1.5 (DIAG. 1)
Gain	5 dBd
Polarisation	VER.
Maximum power	50 W CW
Height	300 mm
Diameter	75 mm
Mass	0.5 kg
Wind velocity - Wind Force	150 km/h - 28 N
Wind Area (C x A)	0.025 m <sup>2</sup>
Temperature range	-40...+70 °C



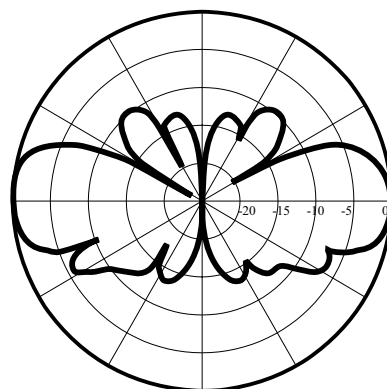
VSWR



RADIATION PATTERN



H plane



E plane