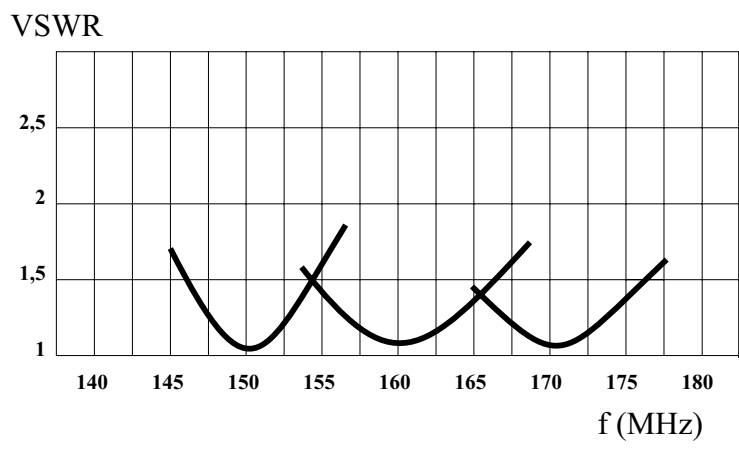
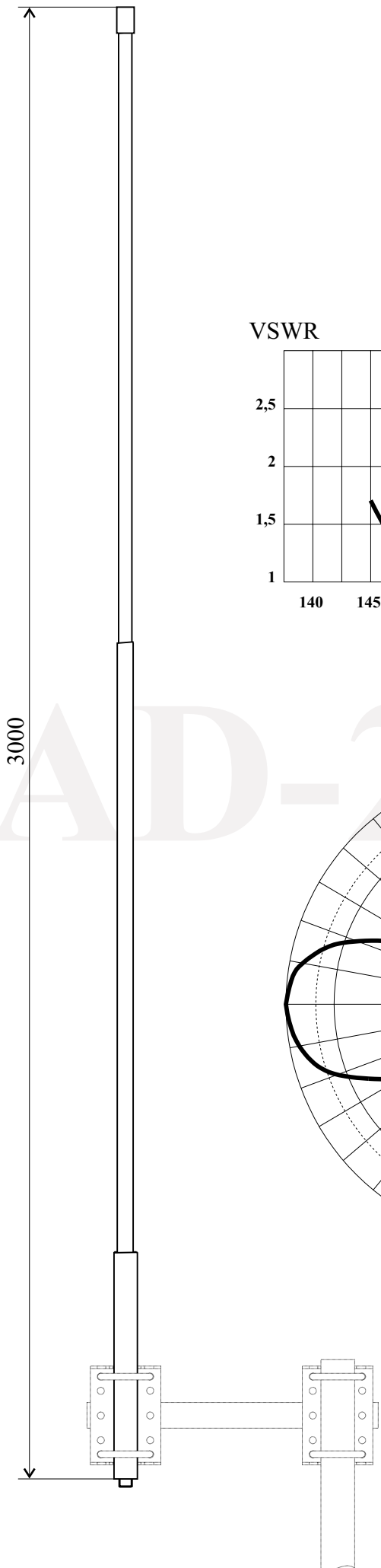


The antenna AD-23/2-2 is a collinear dipole for use on VHF frequency range from 144 to 176 MHz in separate frequency bands. The antenna is electrically designed as collinear dipole, composed of two elements half wave length each. The phasing coil between the elements is used for proper current phase shift on the radiating elements. At the antenna base a matching circuit is built-in by which all radiating elements are also DC grounded. All elements are enclosed in a tube made of composite material enabling excellent mechanical and atmospheric resistance. For antenna mounting on mast our standard family of mounting consoles type ADK could be used.



TECHNICAL DATA	
Frequency range	144 - 176 MHz
Impedance	50 ohm
VSWR	< 1,8 (fo +/- 4%fo)
Gain	6 dBi
Polarization	VER.
Maximum power	200 W CW
Height	3 m
Mass	1,5 kg
Connector	N female
Wind velocity	160 km/h



VERTICAL RADIATION DIAGRAM

