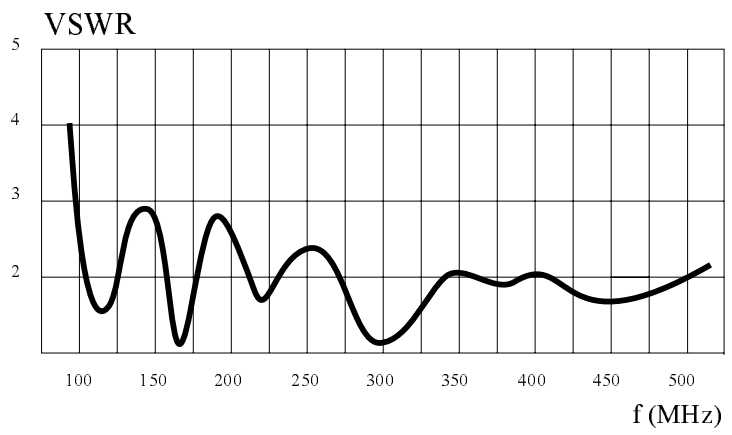
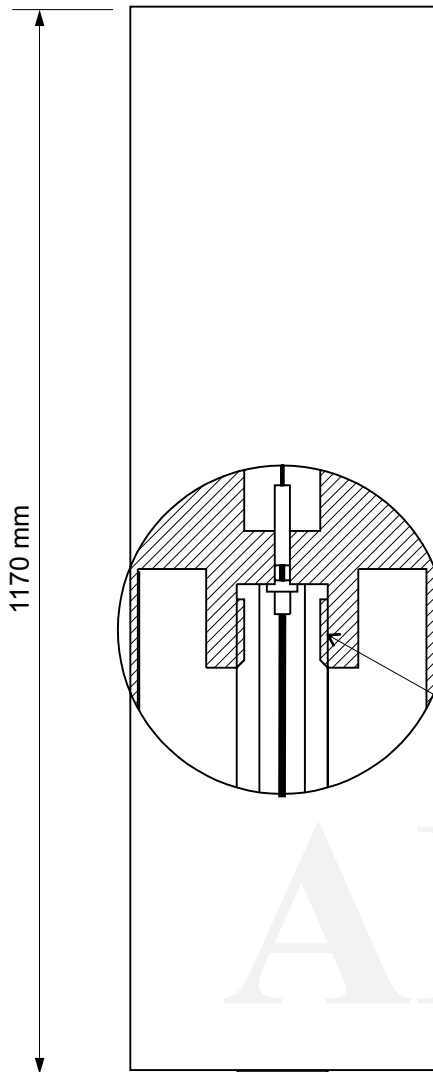


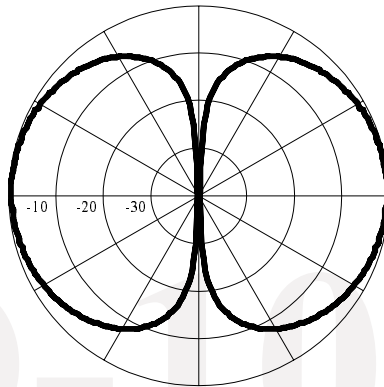
The antenna AD-10/S is a wideband vertical polarized dipole covering the frequency range from 100 to 512 MHz. All elements of the antenna are enclosed in an epoxy - glass composite tube. The antenna is intended for stationary use. Electrically the antenna is designed so that the upper radiating element is divided on two axially placed elements, mutually connected so that each element works in its active region. Such design enables a large bandwidth and relatively constant vertical radiation diagram. The antenna has built-in a coaxial cable length of 1 m with coaxial connector N female type at the end. A special mounting tube with mounting console adapter enables to mount the antenna on the mast with diam. up to 60 mm.

TECHNICAL DATA	
Frequency range	100 - 512 MHz
Impedance	50 ohm
VSWR	< 3 (DIAG. 1)
Gain	0 - 2 dBi
Ver. radiation pattern	DIAG. 2, 3
Polarization	VER.
Maximum power	400 W CW
Height	1170 mm
Diameter	133 mm
Mass of antenna	8,5 kg
Wind velocity	150 km/h
Temperature range	-40....+70 °C

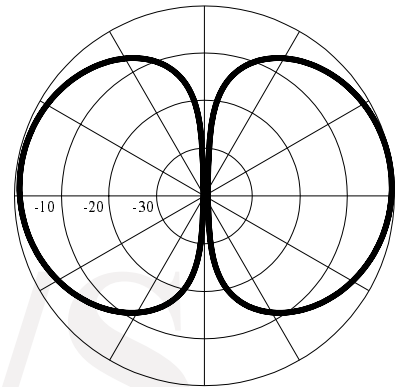




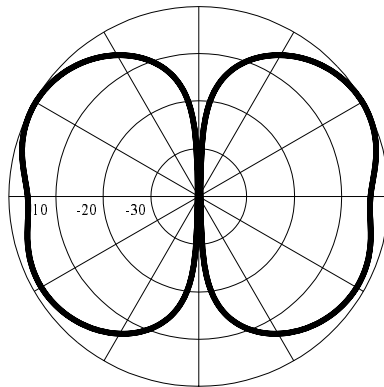
**Radiation Pattern
F = 100 MHz**



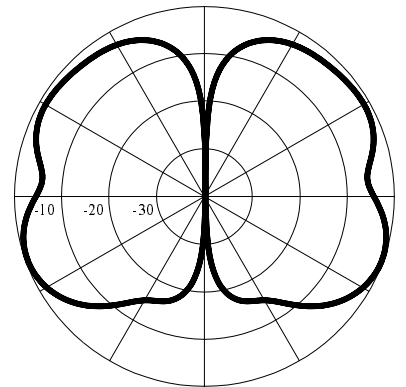
**Radiation Pattern
F = 200 MHz**



**Radiation Pattern
F = 300 MHz**



**Radiation Pattern
F = 400 MHz**



**Radiation Pattern
F = 500 MHz**

