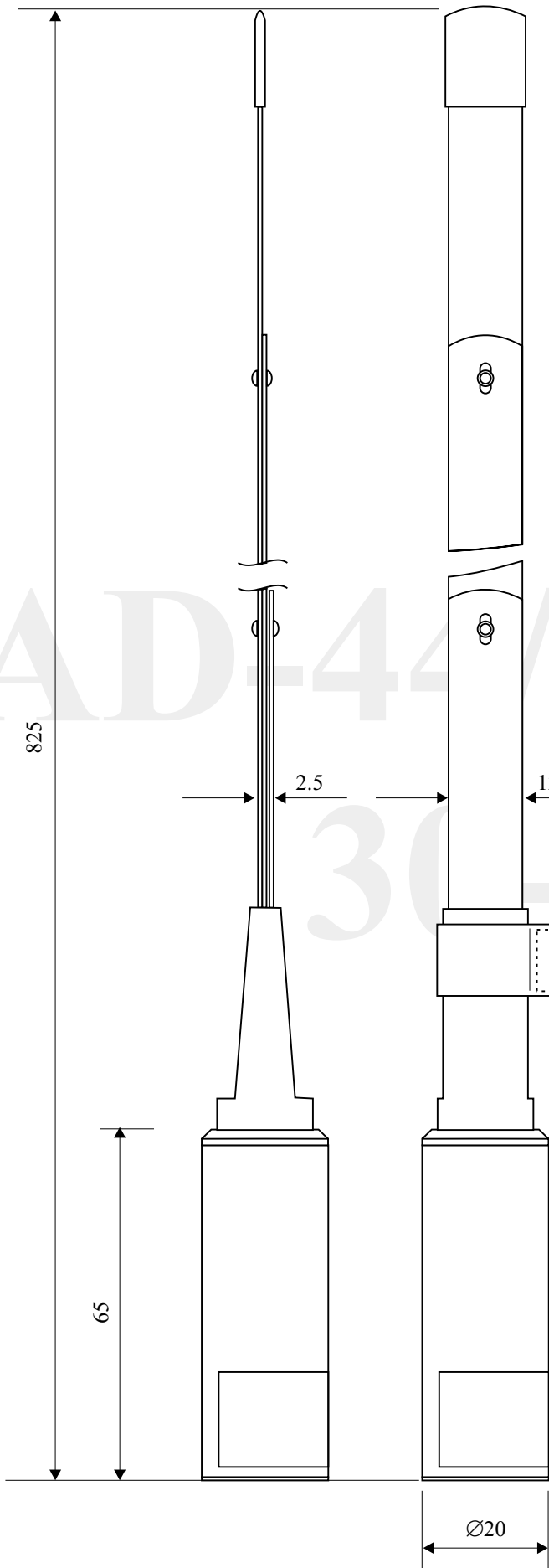


The antenna AD-44/CW-AS-30-512 is a wideband monopole whip, primarily intended for use with portable and handheld radio stations in VHF frequency range from 30 to 512 MHz. Electrically the antenna is optimised for all exploitation conditions (radio in hand, at the side, etc.) so it is not necessary to additionally tune the antenna. The antenna is composed of radiating part made of tape radiator and of the antenna matching unit with built-in a special passive transformer tuning network enclosed in fiberglass housing above the input coaxial connector.

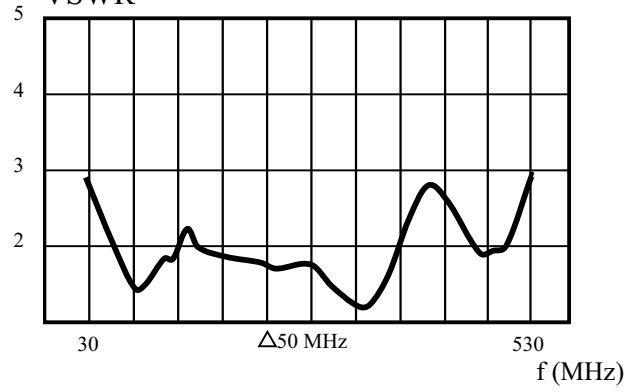


TECHNICAL DATA	
Frequency range	30 - 512 MHz
Impedance	50 ohm
VSWR	< 3
Gain	see diagram
Polarization	VER.
Maximum power	5 W CW
Connector	825 mm
Length	TNC male
Mass of antenna	155 g

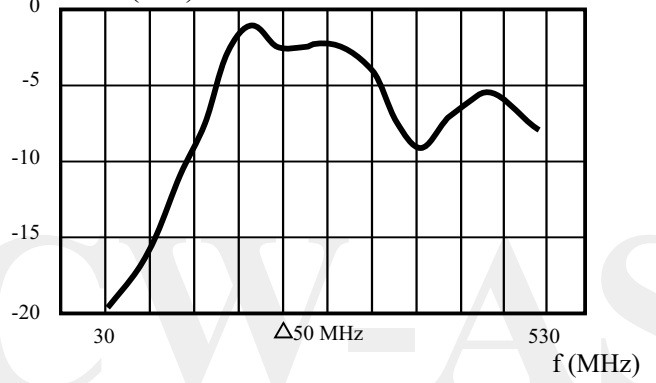




VSWR



Gain (dBi)



Packing Ribbon

Antenna Matching Unit

Label