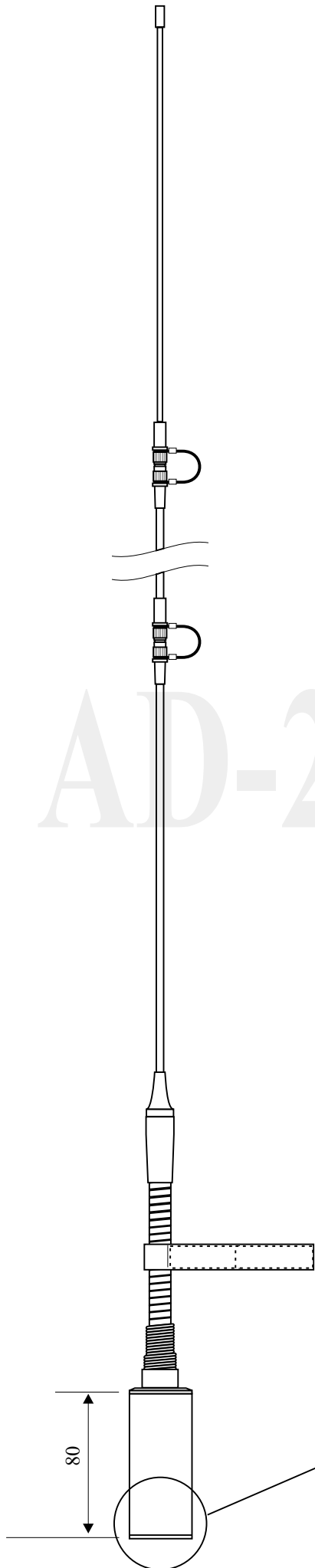


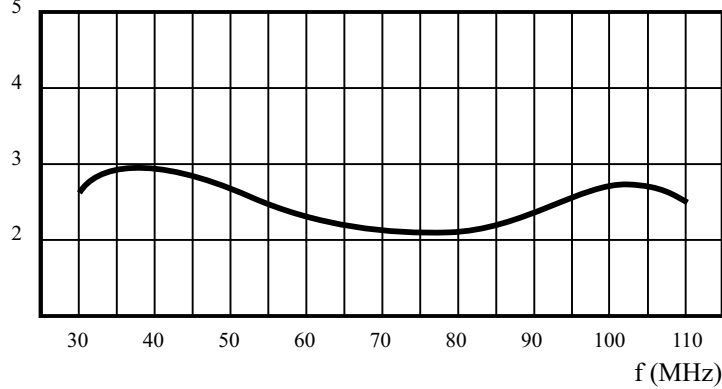
The antenna AD-26/CW is a wideband VHF monopole intended for use primarily on manpack radio stations. It is composed of six rod sections, made of polyester - glass composite material, connected together with screw - conical joints and with safety ropes between them. The antenna has built-in a special passive transformer tuning network enclosed in fibreglass housing above the input coaxial connector. Above the transformer unit is so called "goose neck" enables that the antenna is always in vertical position. The antenna is wideband and therefore suitable for use with standard VHF radios as well with "frequency hopping" systems for work in stay with radio on the ground or on the back, concerning the antenna length. All metal parts of the antenna are galvanically protected. Different models regarding the frequency range, max. RF power, input connector, etc., are available on request.

TECHNICAL DATA	
Frequency range	30 - 90 (108) MHz
Impedance	50 ohm
VSWR	< 3 (DIAG. 1)
Gain	DIAG. 2
Polarization	VER.
Maximum power	5 W CW
Connector	modif. BNC/TNC
Height	2,6 m
Mass of antenna	0,6 kg
Length of sections	380 mm
Environmental specs.	MIL-STD-810





VSWR



Gain vs. 260 cm whip narrowband antenna

