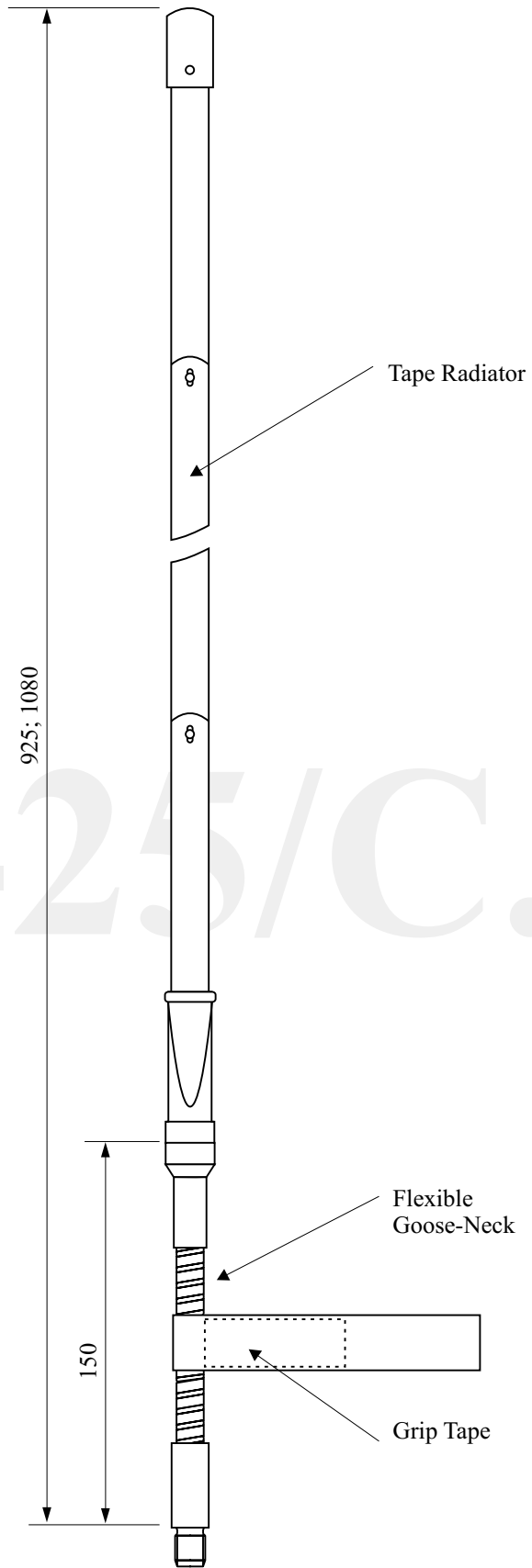
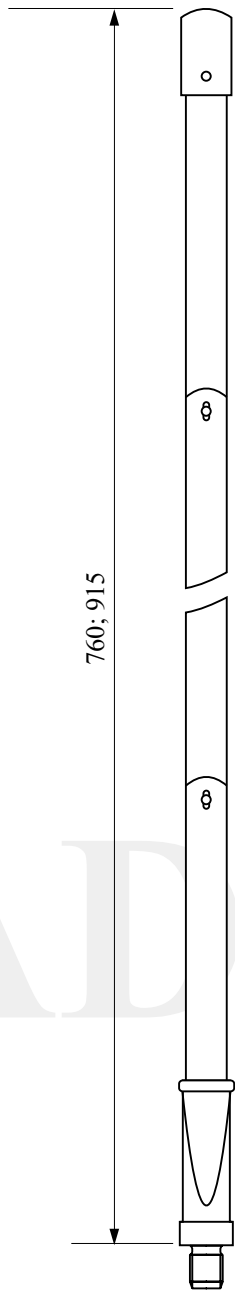


Family of antennas AD-25/C is intended for use with portable and manpack radios within VHF frequency band. The antenna radiator is composed of several multilayered tapes connected together to ensure good conductivity, flexibility and robust construction. The antenna consists also a special grip tape for packing when not in use.

Version of AD-25/C-GN contains also a special “goose-neck” enables vertical position of the antenna irrespective of position of radio set. Antenna is available in different heights (max. 1080 mm) and with different types of thread connectors (5/16”- 24UNF as standard or by request).



| TECHNICAL DATA | AD-25/C-760 | AD-25/C-915 | AD-25/C-GN-925 | AD-25/C-GN-1080 |
|-------------------|--------------------------------------|--------------------------------------|--------------------------------------|--------------------------------------|
| Frequency range | 30 - 90 (108) MHz | 30 - 90 (108) MHz | 30 - 90 (108) MHz | 30 - 90 (108) MHz |
| Maximum power | 25 W | 25 W | 25 W | 25 W |
| Polarization | VER. | VER. | VER. | VER. |
| Connector | thread 5/16-24UNF (or by request) | thread 5/16-24UNF (or by request) | thread 5/16-24UNF (or by request) | thread 5/16-24UNF (or by request) |
| Height | 760 mm | 915 mm | 925 mm | 1080 mm |
| Weight | 0,10 kg | 0,11 kg | 0,17 kg | 0,18 kg |
| Temperature range | - 40....+70 °C | - 40....+70 °C | - 40....+70 °C | - 40....+70 °C |



AD-25/C...